

Data Sheet

T6500-XRA Pressure Gauges All SS High Overpressure solid front process gauge

FEATURES

- Overpressure up to 400% of range (option XRA)
- Solid front all welded SS case
- 100mm and 160mm case size
- Weatherproof protection IP66
- ATEX approval CE Ex II 2 GD c
- Optional arctic ambient temperature -94°F/-70°C (option XQC)
- Dry, liquid filled or **PLUS!**™ Performance option

TYPICAL USES

- Offshore oil rigs
- Chemical and petrochemical plants
- Machine equipment
- Food and beverage industry
- Pulp and paper
- Power plants



T6500-XRA
100mm dial size



SPECIFICATIONS

Accuracy:	1% of span (measured range)
Size:	100mm, 160mm
Range:	15 psi to 600psi
Process Conn. Location:	Lower
Process Conn. Size:	¼ NPT Male, ½ NPT Male, G ¼ B Male, G ½ B Male
Case Style:	T6500: Solid front with full rear blowout back
Movement:	Adjustable
Window Material:	T6500: Safety glass (STD.), acrylic (OPT.)
Dial:	Aluminum, white background, black figures and intervals, red overpressure zone
Pointer:	Aluminum
Weather Protection:	Dry: IP66 and NEMA 4X Liquid filled: IP66/67 and NEMA 4X Hermetically sealed case: IP66/67 and NEMA 4X
Dampening Options:	PLUS! ™ Performance, throttle screw, dampeners, snubbers and fill fluids
Mounting:	Stem and surface
Approvals:	Optional ATEX II 2 GD c IIC Tx for hazardous areas (File No. 35134582 at notified body 0044, TÜV NORD CERT) CE (Conformité Européenne) EAC (EurAsian Conformity)

WETTED COMPONENTS

Bourdon Tube	Process Connection	Joints
316L SS	316 SS	Welded

KEY BENEFITS

- Overpressure up to 400% of range for superior safety
- Protects when sudden pressure surge occurs at start-up or during process pressure spikes

NON-WETTED COMPONENTS

Case	Ring	Back Cover
304 SS (STD.)	304 SS	304 SS
316 SS (OPT.)	316 SS	316 SS

MIN/MAX TEMPERATURE LIMITS

Version	Ambient	Process	Storage
Dry	-40°F to 158°F (-40°C to 70°C)	-40°F to 392°F (-40°C to 200°C)	-40°F to 158°F (-40°C to 70°C)
PLUS! ™	-40°F to 158°F (-7°C to 70°C)	-40°F to 200°F (-40°C to 93°C)	-40°F to 158°F (-40°C to 70°C)
Glycerin fill	19°F to 158°F (-7°C to 70°C)	19°F to 199°F (-7°C to 93°C)	-40°F to 158°F (-40°C to 70°C)
Silicone fill	-40°F to 158°F (-7°C to 70°C)	-40°F to 199°F (-40°C to 93°C)	-40°F to 158°F (-40°C to 70°C)
Halocarbon® fill	-40°F to 158°F (-40°C to 66°C)	-40°F to 199°F (-40°C to 93°C)	-40°F to 158°F (-40°C to 66°C)
ATEX	-40°F to 140°F (-40°C to 60°C)	Per ATEX & liquid fill limit	-40°F to 158°F (-40°C to 70°C)
Low Temp. Silicone	-94°F to 158°F (-70°C to 70°C)	-94°F to 200°F (-70°C to 93°C)	-94°F to 158°F (-70°C to 70°C)

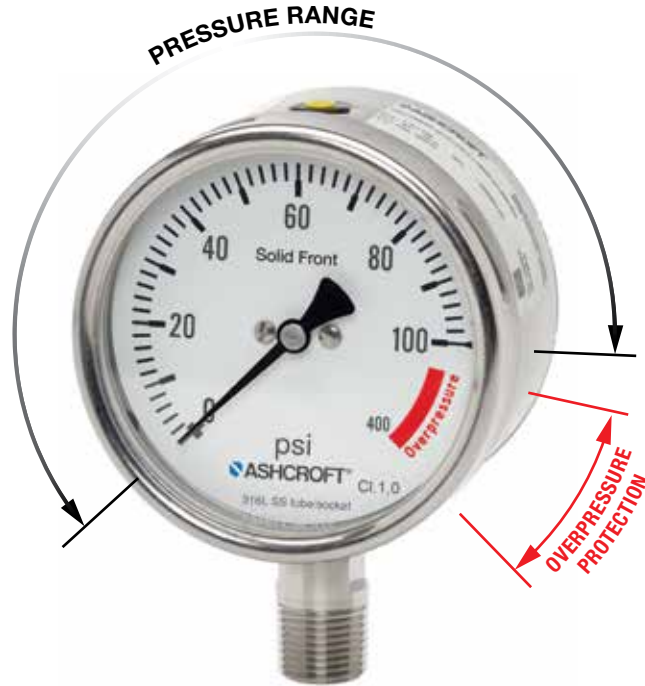
Data Sheet

T6500-XRA Pressure Gauges All SS High Overpressure solid front process gauge

PRESSURE RANGE TABLES

PSI RANGES

Pressure Range	Overpressure Protection (psi)	Overpressure Protection (% of Range)
15	60	400%
20	80	400%
30	120	400%
60	240	400%
100	400	400%
120	480	400%
160	600	375%
200	800	400%
300	1000	333%
400	1000	250%
500	1250	250%
600	1500	250%



BAR & KILOGRAM RANGES

Pressure Range	Overpressure Protection (bar/kg)	Overpressure Protection (% of Range)
1	4	400%
1.6	6	375%
2.5	10	400%
4	16	400%
6	25	417%
10	40	400%
16	60	375%
25	80	320%
40	100	250%

KPA RANGES

Pressure Range	Overpressure Protection (kPa)	Overpressure Protection (% of Range)
100	400	400%
160	640	400%
250	1000	400%
400	1600	400%
600	2400	400%
1000	4000	400%
1600	6000	375%
2500	10,000	400%
4000	13,320	333%

MPA RANGES

Pressure Range	Overpressure Protection (mPa)	Overpressure Protection (% of Range)
0.1	0.4	400%
0.16	0.64	400%
0.25	1	400%
0.4	1.6	400%
0.6	2.4	400%
1	4	400%
1.6	6	375%
2.5	10	400%
4	13	333%

Data Sheet

T6500-XRA Pressure Gauges

All SS High Overpressure solid front process gauge

ORDERING CODE	Example:	10T6500	S	D	02	L	15#	XRA
Dial Size/Model Code								
10T6500 -100mm - 304 SS case, solid front		10T6500						
16T6500 -160mm - 304 SS case, solid front								
10T6500 -100mm - 316L SS case, solid front (when ordered with XYW)								
16T6500 -160mm - 316L SS case, solid front (when ordered with XYW)								
System (tube and process connection)								
S - 316L SS			S					
Case Design								
D - Dry				D				
L - Liquid fill								
Process Connection Sizes								
02 - ¼ NPT Male					02			
04 - ½ NPT Male								
13 - G ¼ B Male								
15 - G ½ B Male								
Process Connection Location								
L - Lower						L		
Range (coding examples only, see range table on page 2 for all standard ranges)								
Single Scales								
15# - 15 psi							15#	
1KG - 1 kg/cm ²								
1BR - 1 bar								
160KP - 160 kilopascal								
Options (If choosing an option(s) must include an "X")								
								X__
Dampening								
GV - Silicone fill								
LL - PLUS! ™ Performance								
NZ - PLUS! ™ Performance, silicone free								
TU - Throttle plug								
QC - Low temperature silicone fill for ambient temperature down to -94°F (-70°C), including Fluorosilicone sealing (for 100 mm T6500 only)								
Case								
FF - Front flange on bayonet ring (100mm only)								
FW - Wall mounting flange								
FF - Front flange tack welded to case								
YW - 316L SS case								
Windows/Pointers/Dial								
PD - Acrylic window								
SH - Red set hand, stationary (dry case only)								
D3 - DuraVis™ Retroreflective Dial (100mm only, dry case only)								
Other								
VS - Underload stop								
NH - SS tag wired to case								
6B - Cleaned for gaseous oxygen service								
AT - ATEX								
C4 - Individual calibration chart								
RA - High over pressure - sometimes called retard scale								RA

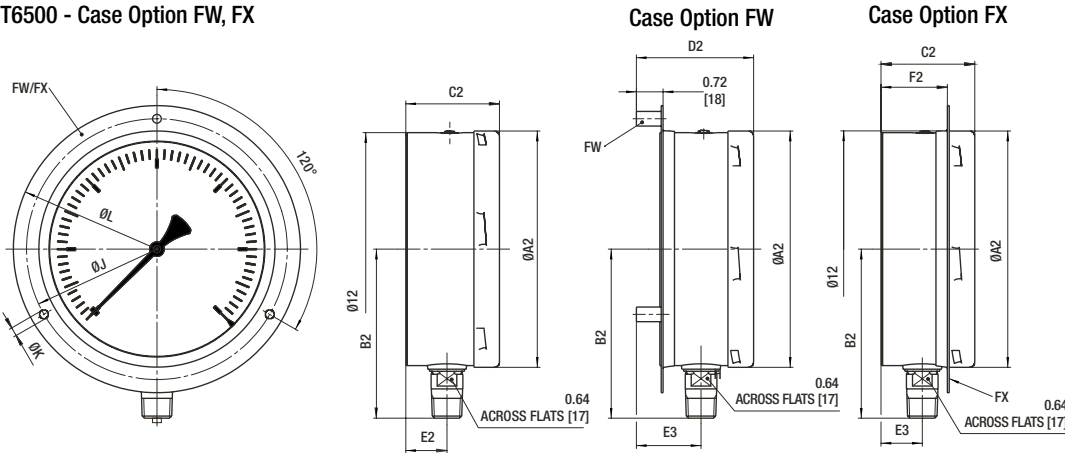
EAC compliance on application

T6500-XRA Pressure Gauges
All SS High Overpressure solid front process gauge

DIMENSIONS in [] are millimeters

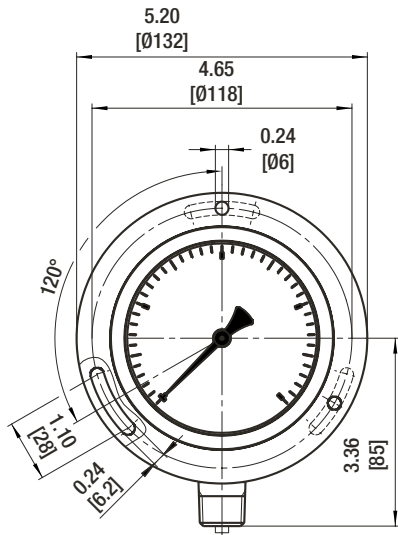
For reference only, consult Ashcroft for specific dimensional drawings.

T6500 - Case Option FW, FX



T6500 - Case Options FW, FX												
Dial Size	A	B	C ₂	D ₂	E ₂	E ₃	F ₂	12	J	K	L	Weight
100 mm	3.97 [101]	3.36 [85]	2.38 [61]	2.91 [74]	1.02 [26]	1.55 [39]	1.63 [42]	4.00 [102]	4.65 [118]	0.24 [6]	5.20 [132]	Dry 2.0 lbs LF 4.4 lbs
160 mm	6.35 [161]	4.54 [115]	2.52 [64]	3.15 [80]	1.11 [28]	1.74 [44]	1.78 [45]	6.36 [162]	7.01 [178]	0.24 [6]	7.72 [196]	Dry 2.7 lbs LF 5.0 lbs

T6500 100mm - Case Option FF



T6500 - 100mm

