

1008S, 50mm (2") Stainless Steel Case Gauge



50mm lower connection

FEATURES

- ASME $\pm 3-2-3\%$ grade B accuracy
- All-stainless steel construction
- Dry or liquid-filled versions
- Lower or center back connect
- Glass window standard
- Front flange or U-clamp available for flush mounting

Ashcroft® 50mm all-stainless steel pressure gauges help to complete our full-line product offering of stainless steel gauges with dial sizes from 40mm to 100mm. These smaller size gauges are used whenever space limitations and atmospheric and process corrosion exist.

These Ashcroft® pressure gauges utilize many of the same features as the larger dial size all stainless steel gauges including True Zero™.

PRODUCT SPECIFICATIONS

Ashcroft Type No.:	1008S
Sizes:	50mm (2")
Case:	304SS
Ring:	304SS slip design friction fit
Window:	Standard – glass Optional – polycarbonate, safety glass
Dial:	Black figures on white background, aluminum
Pointer:	Black, aluminum
Bourdon Tube:	316SS Bourdon tube and socket
Socket:	316SS
Movement:	Stainless steel, gear type
Mounting:	Stem mounting or panel mounting with U-Clamp (XUC) or Front Flange (XFF)
Connections:	$\frac{1}{4}$ NPT center back, and lower standard, $\frac{1}{8}$ NPT optional
Ranges:	Vacuum, compound, 15–20,000 psi
Accuracy:	ASME $\pm 3-2-3\%$ grade B
Protection:	NEMA 3/IP54
Ambient	–40°F to 200°F dry
Temperature	+20°F to 150°F glycerin filled

OPTIONAL FEATURES

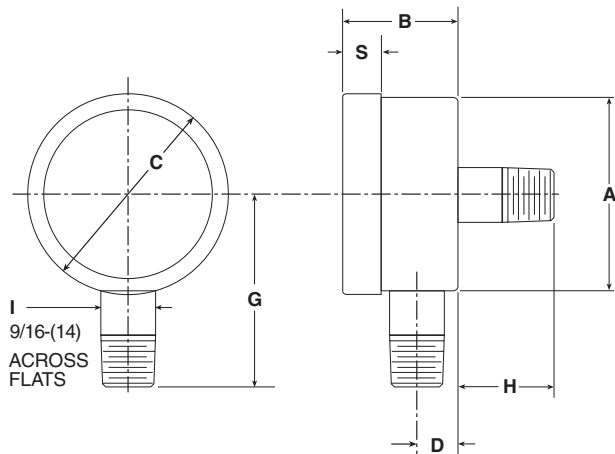
Liquid fill:	Glycerin
Mounting:	- Flush panel mounting flange welded to case (XFF) - Panel mounting U-clamp (XUC)
Window:	- Polycarbonate (XPD) - Shatterproof glass (XSG)
System:	- Flutterguard dampening (XZY)

HOW TO ORDER (Typical example)

	50	1008	S (L)	02B	XFF	100#
Dial Size: 50mm (50)	_____	_____	_____	_____	_____	_____
Case Type: 1008	_____	_____	_____	_____	_____	_____
Tube and Socket Material: 316SS	_____	_____	_____	_____	_____	_____
Liquid Filled: (glycerin) leave blank if dry	_____	_____	_____	_____	_____	_____
Connection Size: $\frac{1}{4}$ (02)	_____	_____	_____	_____	_____	_____
Connection Location: Lower (L), Center Back (B)	_____	_____	_____	_____	_____	_____
Options: (XFF) Flush panel flange, (XUC) Panel U-clamp	_____	_____	_____	_____	_____	_____
Range: 0/100 psi	_____	_____	_____	_____	_____	_____

1008S, 50mm (2") Stainless Steel Case Gauge

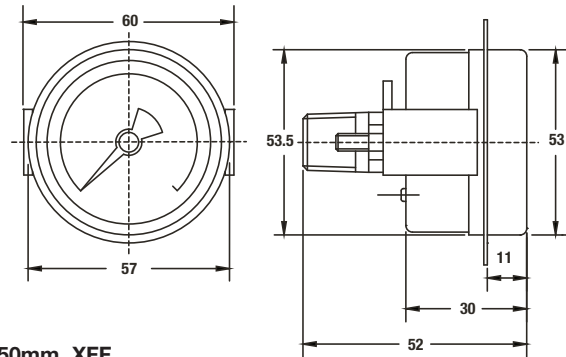
CASE DIMENSIONS (all dimensions are in mm)



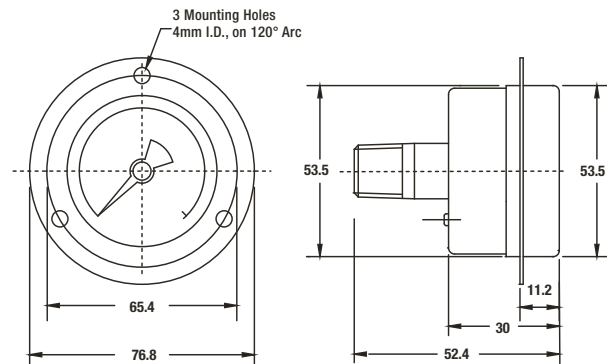
Gauge Size	A	B	C	D	G	H	I	S	Weight	
									Dry	LF
(50)	(51.4)	(29.6)	(52.9)	(10)	(47)	(23)	(14.0)	(10.5)	.12kg	.17kg
1.97	2.02	1.71	2.08	.375	1.85	0.91	0.55	0.41	.26#	.37#

PANEL CUTOUT DIMENSIONS

50mm, XUC



50mm, XFF



Gauge Diameter	Min. Cutout Dia.	Max. Cutout Dia.
50mm	2.035" (51.089mm)	2.07" (52.578mm)