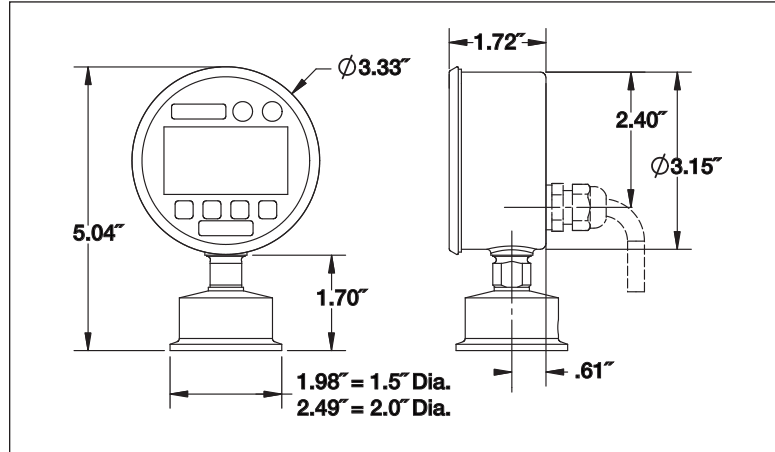
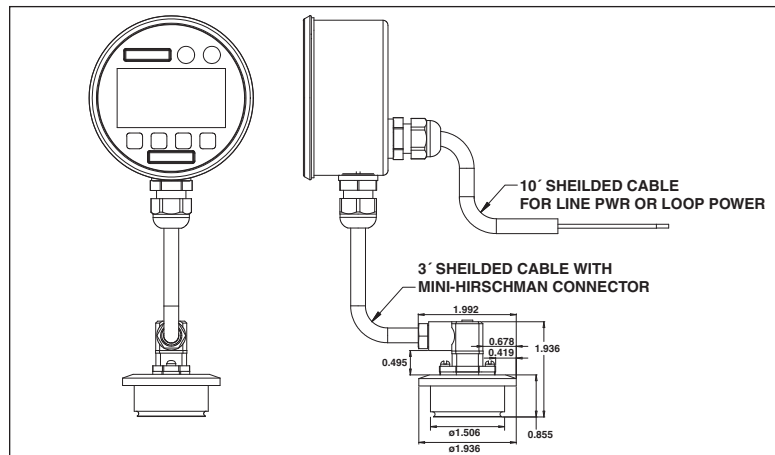


Type 2030 Series Digital Sanitary Gauge

Types 2032, 2132 or 2232 with 1½" or 2" Diameter Seal



Types 2136 or 2236 with remote seal (XRE variation)



Types 2132 or 2232 with remote seal (XRE variation)

