

Type 1130 – 2", 2½", 3½", 4", 4½", & 6" Differential Gauge



- *Piston actuator*
- *Stainless steel case*
- *Ranges from 5 psid-150 psid*
- *Static pressures up to 6000 psi⁽⁴⁾*
- *Aluminum⁽³⁾, brass or stainless steel bodies⁽¹⁾*
- *Buna-N O-rings (others available)*
- *Superior magnets for smoother pointer motion*
- *Standard or explosion-proof reed switches available*
- *5-year warranty*

The Type 1130 uses a piston design where small migration of the process media is permissible.⁽¹⁾ It is recommended for high differential and high static pressures, up to 6000 psi. Body materials are available in Aluminum, Brass and Stainless Steel, with Buna, Viton or EPDM seals.⁽²⁾

NOTES:

- (1) Not for use with incompatible media.
- (2) Other wetted parts include stainless steel spring, Teflon piston and ceramic magnet.
- (3) Aluminum bodies not to be used with water or corrosive applications.
- (4) Static pressure over 3000 psi in SS only.

PRODUCT SPECIFICATIONS

Model Number:	1130
Accuracy (Ascending):	±2%
Migration:	Minor
Ranges:	0-5 psid to 150 psid
Maximum Static Pressure:	3000 psi (6000 psi for SS)
Actuator:	Piston
Case Material:	Stainless steel
Dial Size:	2" (20), 2½" (25), 3½" (35), 4" (40), 4½" (45), 6" (60)
Maximum Process Temp.:	175°F/80°C
Body Materials:	Aluminum (F), brass (A), stainless steel (S)
O-Rings/Diaphragm:	Buna-N
Connection Size (Female):	¼ NPT (25)
Connection Location:	In-Line (S), Lower (L), Back (B)
Window:	Glass

PRODUCT OPTIONS

Switches⁽¹⁾: Available

¼ NPT Female Adapter: XGE Available

Front Flange: XFF Available

Viton O-Rings: XVD Available

EPDM O-Rings: XEM Available

Fill:

Glycerin L Standard

Silicone XGV Available

Window

Plastic: XPD Available

Explosion Proof: XEK Available⁽²⁾

Pipe Mounting Bracket: XTM In-line (only)

- (1) Applicable to switches:
- XV1 – 1 SPST with DIN plug
 - XV2 – 1 SPST with terminal strip
 - XV3 – 2 SPST with DIN plug
 - XV4 – 2 SPST with terminal strip
 - XV5 – 1 SPDT with DIN plug
 - XV6 – 1 SPDT with terminal strip
 - XV7 – 2 SPDT with DIN plug
 - XV8 – 2 SPDT with terminal strip
- Adjustable from 20-100% of range
Terminal or DIN connected switches are not available with back connection

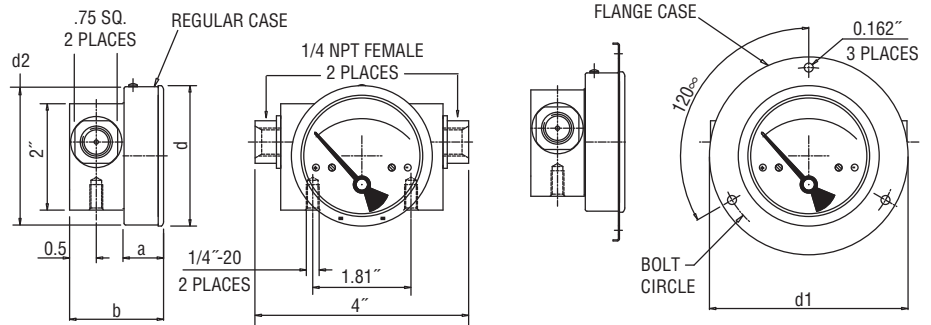
(2) Specify lower or back connection for gauge (not available in-line) and switch type V2, V4, V6, V8

HOW TO ORDER:

Dial Size: 2", 2½", 3½", 4", 4½", & 6" _____	25	1130	FD	25S	XXX	30#
Case Type Number: 1130 _____						
Body Material _____						
Connection Size: ¼ NPT (25) _____						
Connection Location: In-line (S), Lower (L), Back (B) _____						
Optional Features: see above _____						
Standard Pressure Range _____						

Type 1130 – 2", 2½", 3½", 4", 4½", & 6"

Differential Gauge



Type 1130 Dimension Drawing

Dial Size	a	b	d	d'	d ²	Bolt Circle
2"	0.70"	1.70"	2.08"	3.11"	2.04"	2.72"
2.5"	0.75"	1.75"	2.59"	3.66"	2.55"	3.26"
3.5"	0.75"	1.75"	3.26"	4.29"	3.22"	3.89"
4"	0.75"	1.75"	4.10"	5.15"	4.01"	4.76"
4.5"	0.75"	1.75"	4.71"	5.74"	4.60"	5.35"
6"	0.75"	1.75"	6.07"	7.12"	6.00"	6.73"

Type 1130 – Standard Ranges

psi		0-5	0-8	0-10	0-15	0-20	0-25	0-30	
kPa	0-25		0-50	0-75	0-100		0-160	0-200	0-250
kg/cm ² -bar	0-0.25		0-0.5	0-0.75	0-1		0-1.6	0-2	0-2.5
psi	0-40	0-50	0-60		0-80		0-100		0-150
kPa	0-300		0-400	0-500		0-600	0-700	0-900	0-1000
kg/cm ² -bar	0-3		0-4	0-5		0-6	0-7	0-9	0-10

Ratings for Both Standard & Explosion Proof Switches:

SPST SWITCH

Specifications:

Contact Rating
10 VA ac (rms) or dc (max)
Switching Current
0.5 Amp ac (rms) or dc (max)
Switch Voltage
100 Vac/Vdc (max)

SPDT SWITCH

Specifications:

Contact Rating
3 VA ac (rms) or dc (max)
Switching Current
.3 Amp ac (rms) or dc (max)
Switch Voltage
30 Vac/Vdc (max)

Explosion Proof Switches Information:

Switches and electrical connections are mounted in an explosion-proof enclosure with UL, CSA, Cenelec and FM approval. The enclosure meets Class 1, Groups B, C, D, Class 2 Groups E, F, G, Class 3, NEMA 7 & 9 and IP 66. Two ¼" electrical conduit connections.