

Type 1132 – 2½", 3½", 4", 4½" & 6" Differential Gauge



- *Small convoluted diaphragm actuator*
- *Stainless steel case*
- *Ranges from 1 psid-60 psid*
- *Static pressures up to 3000 psi*
- *Aluminum⁽³⁾, brass or stainless steel bodies⁽¹⁾*
- *Buna-N O-rings (others available)*
- *Superior magnets for smoother power motion*
- *Standard or explosion-proof reed switches available*
- *5-year warranty*

The Type 1132 uses a convoluted-diaphragm design with no migration of the process media. It is recommended for lower differential and high static pressures, up to 1500 psi. Body materials are available in Aluminum, Brass and Stainless Steel, with Buna, Viton or EPDM seals.⁽²⁾

NOTES:

- (1) Not for use with incompatible media.
- (2) Other wetted parts include stainless steel spring, Teflon piston and ceramic magnet.
- (3) Aluminum bodies not to be used with water or corrosive applications.

PRODUCT SPECIFICATIONS

Model Number:	1132
Accuracy (Ascending):	±2%
Migration:	Zero
Ranges:	0-1 psid to 60 psid
Maximum Static Pressure:	1500 psi (all)
Actuator:	Convoluted diaphragm
Temp. Limit	-20/170°F
Case Material:	Stainless steel
Dial Size:	2½" (25), 3½" (35), 4" (40), 4½" (45), 6" (60)
Maximum Process Temp.:	175°F/80°C
Body Materials:	Aluminum (F), brass (A), stainless steel (S)
O-Rings/Diaphragm:	Buna-N
Connection Size (Female):	¼ NPT (25)
Connection Location:	In-Line (S), Lower (L), Back (B)
Window:	Glass

PRODUCT OPTIONS

Switches⁽¹⁾:	Available
¼ NPTF adaptor:	XGE Available
Front Flange:	XFF Available
Viton O-Rings:	XVD Available
EPDM O-Rings:	XEM Available
Fill:	
Glycerin	L Standard
Silicone	XGV Available
Window	
Plastic:	XPD Available
Explosion Proof:	XEK Available ⁽²⁾
Pipe Mounting Bracket:	XTM In-line (only)

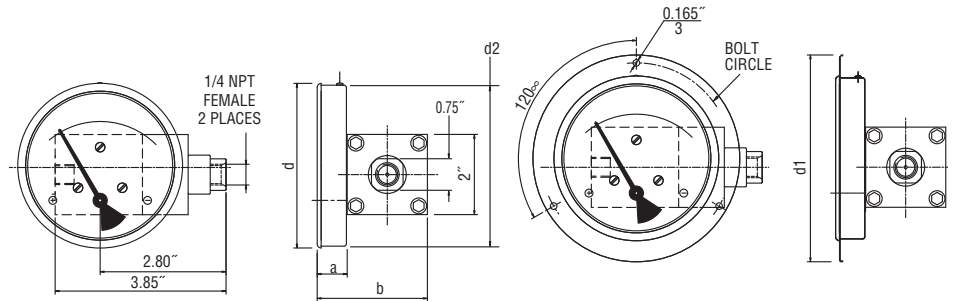
(1) Applicable to switches:
 XV1 – 1 SPST with DIN plug
 XV2 – 1 SPST with terminal strip
 XV3 – 2 SPST with DIN plug
 XV4 – 2 SPST with terminal strip
 XV5 – 1 SPDT with DIN plug
 XV6 – 1 SPDT with terminal strip
 XV7 – 2 SPDT with DIN plug
 XV8 – 2 SPDT with terminal strip
 Adjustable from 30-100% of range
 Terminal or DIN connected switches are not available with back connection

(2) Specify lower or back connection for gauge (not available in-line) and switch type V2, V4, V6, V8

HOW TO ORDER:

Dial Size: 2½", 3½", 4", 4½" & 6"	<u>25</u>	<u>1132</u>	<u>FD</u>	<u>25S</u>	<u>XXX</u>	<u>30#</u>
Case Type Number: 1132						
Body Material						
Connection Size: ¼ NPTF						
Connection Location: In-line (S), Lower (L), Back (B)						
Optional Features: see above						
Standard Pressure Range						

Type 1132 – 2½", 3½", 4", 4½", & 6" Differential Gauge



Type 1132 Dimension Drawing

Dial Size	a	b	d	d ¹	d ²	Bolt Circle
2.5"	0.75"	2.74"	2.59"	3.66"	2.55"	3.26"
3.5"	0.75"	2.74"	3.26"	4.29"	3.22"	3.89"
4"	0.75"	2.74"	4.10"	5.15"	4.01"	4.76"
4.5"	0.75"	2.74"	4.71"	5.74"	4.60"	5.35"
6"	0.75"	2.74"	6.07"	7.12"	6.00"	6.73"

Type 1132 – Standard Ranges

psi	0-1		0-5	0-8		0-15	0-20	0-25	0-30		0-40	0-50	0-60
in. H₂O	0-25	0-100		0-200		0-400	0-500						
kPa		0-25		0-50	0-75	0-100		0-160	0-200	0-250	0-300		0-400
kg/cm²-bar	0-0.075	0-0.25		0-0.5	0-0.75	0-1		0-1.6	0-2	0-2.5	0-3		0-4
mbar	0-75	0-250											

Ratings for Both Standard & Explosion Proof Switches:

SPST SWITCH

Specifications:

Contact Rating
10 VA ac (rms) or dc (max)
Switching Current
0.5 Amp ac (rms) or dc (max)
Switch Voltage
100 Vac/Vdc (max)

SPDT SWITCH

Specifications:

Contact Rating
3 VA ac (rms) or dc (max)
Switching Current
0.3 Amp ac (rms) or dc (max)
Switch Voltage
30 Vac/Vdc (max)

Explosion Proof Switches Information:

Switches and electrical connections are mounted in an explosion-proof enclosure with UL, CSA, Genelec and FM approval. The enclosure meets Class 1, Groups B, C, D, Class 2 Groups E, F, G, Class 3, NEMA 7 & 9 and IP 66. Two ¾" electrical conduit connections.