

## Type 1377 Duragauge® Pressure Gauge with PLUS!™ Performance Option



- 4½" full-size Bourdon tube
- Patented Duratube™ with as-welded-tube construction controls stress for longer life
- "Round Cap Tip" construction lowers stresses for longer life
- Micrometer adjustable pointer.
- Exclusive Teflon coated 400 series stainless steel rotary movement for longer life
- PLUS!™ Performance Option:
  - Liquid-filled performance in a dry gauge
  - Fights vibration and pulsations without liquid-filled headaches
  - Order as option XLL
- Epoxy-coated system for superior corrosion resistance

Type 1377 Duragauge® pressure gauge is offered in 4½", 6" and 8½" dial sizes.

Designed for flush mounting, this solid-front gauge is ideal for panel board applications. Its black epoxy coating and its tough aluminum weatherproof case easily allow application in a variety of climatic conditions.

### PRODUCT SPECIFICATIONS

**Model Number:** 1377

**Accuracy:** ½% full scale (Grade 2A, ASME B40.100)

**Ranges:** Vacuum – 30,000 psi

**Dial Size:** 4½", 6", 8½" diameter

**Case Material:** Aluminum, black epoxy coated

### Weather Protection:

Dry Case: IP54

**Ring:** Hinged steel, black enamel

**Window:** Glass

**Dial:** Aluminum, white background, black pressure scale.

**Pointer:** Micrometer adjustable

**Movement:** Rotary, 400 SS, Teflon® coated pinion gear and segment

**Bourdon Tube:** C510 Phos. bronze/brass brazed (A)  
316L SS/steel (R)  
316L SS/316L SS (S)  
K Monel/Monel (P)

**Connection Size:** ¼", ½" NPT

**Connection Location:** Lower or back

### PRODUCT OPTIONS

**PLUS! Performance:** XLL

**Fill:** Dry Only

**Receiver Gauge:** XPR

**Shatter Proof**

**Glass Window:** XSG

**Acrylic Window:** XPD

**Set Hand:** XSH

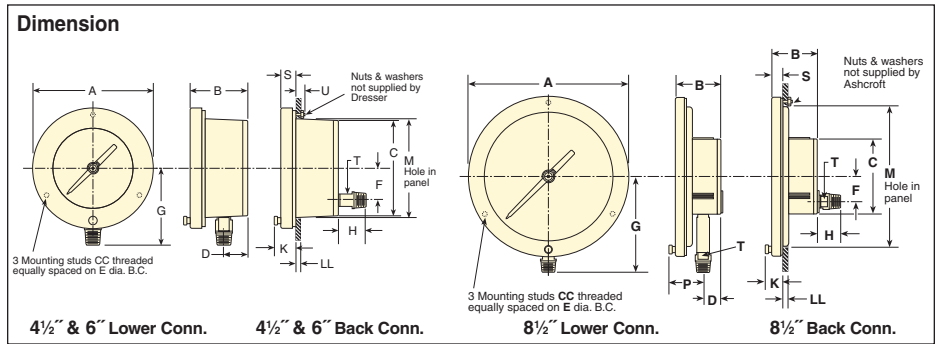
**Maximum Pointer:** XEP

### STANDARD RANGE TABLE\*

Pressure – psi				
Range	Figure interval		Minor Graduation	
0/15	1		0.1	
0/30	5		0.2	
0/60	5		0.5	
0/100	10		1	
0/160	20		2	
0/200	20		2	
0/300	50		2	
0/400	50		5	
0/600	50		5	
0/800	100		10	
0/1000	100		10	
0/1500	200		20	
0/2000	200		20	
0/3000	500		20	
0/5000	500		50	
0/6000	500		50	
0/10,000	1000		100	
0/20,000	2000		200	
0/30,000	5000		200	
Compound				
Range	Figure Interval		Minor Grads	
	in Hg	psi	in Hg	psi
30" Hg/15 psi	5	3	0.5	0.2
30" Hg/30 psi	10	5	1	0.5
30" Hg/60 psi	10	10	1	1
30" Hg/100 psi	10	10	2	1
30" Hg/150 psi	10	20	5	2
30" Hg/200 psi	30	20	5	2
30" Hg/300 psi	30	50	5	2
Vacuum				
Range	Figure Interval		Minor Grads	
30/0 in. Hg	5 in		0.2 in	
34/0 ft H <sub>2</sub> O	5 ft		0.5 ft	

\*Full standard and metric equivalent range table available on our web site.

## Type 1377 Duragauge® Pressure Gauge with PLUS!™ Performance Option



Dial Size Inches	A	B	C	D	E	F	G	H	K	M	P	S	T	U	CC	LL	Weight (lbs)
4 1/2	6 7/32 (148)				5 3/8 (137)		3 15/16 (100)			4 7/8 (124)					#10-24		2 1/2
6	7 9/16 (192)	2 7/8 (73)	4 3/4 (121)	1 1/8 (27)	7 (178)	1 5/8 (41)	4 1/2 (114)	1 3/8 (35)	1 1/8 (27)	6 1/2 (165)	2 1/8 (54)	5/8 (16)	5/8 (16)	3/4 (19)	1/4-20	1/8-1/2 (3)(13)	3
8 1/2	10 1/16 (257)				9 5/8 (244)		6 (152)			9 (229)					1/4-20		4 1/2

**Table A - Case selection & mounting**

Dial Size (in)	Ordering Code	Case Type	Case: Material Finish	Ring: Style Material Finish	Mounting / Connection
4 1/2, 6, 8 1/2	(45), (60), (85)	1377	Aluminum, Black epoxy coating	Hinged, steel Black wrinkle enamel coat	Flush – Back Stem – Lower or back

**Table B - Bourdon System Selection**

Ordering Code	Bourdon Tube & Tip Material (all joints TIG welded except "A")	Socket Material	Tube Type	Range Selection Limits (psi)	NPT Conn. (2)
A	Phosphor Bronze Tube-Brass Tip, Silver Brazed	Brass	C-Tube	12/1000	1/4, 1/2
R(4)	316L stainless steel	1019 steel	C-Tube	12/1500	1/4, 1/2
			Helical	2000/20,000	1/4, 1/2
S	316L stainless steel	316 stainless steel	C-Tube	12/1500	1/4, 1/2
			Helical	2000/20,000	1/4, 1/2
P(3)	K Monel	Monel 400	C-Tube	15/1500	1/4, 1/2
			Helical	2000/30,000	1/4, 1/2(5)

**NOTES:**

- (2) Other connections available on application.
- (3) See Ashcroft product information page ASH/PI60 for compliance to NACE.
- (4) "R" Bourdon system not available in 8 1/2" dial size.
- (5) 30,000 psi range supplied with 1/4 high pressure connection, 1/2 NPT optional.

**HOW TO ORDER:**

45    1377    AS\*    04L    XXX    0/1,000 psi

From Table A, Dial Size: 4 1/2" : \_\_\_\_\_

From Table A, Case Type Number: 1377 \_\_\_\_\_

From Table B, Bourdon tube and socket: \_\_\_\_\_

From Table B, Connection: 1/4 NPT (02), 1/2 NPT (04), Lower (L), Back (B) \_\_\_\_\_

From Optional Features: \_\_\_\_\_

From Range Table: 1000 psi \_\_\_\_\_

(\*) "S" denotes solid front case design  
If glycerin filled case, substitute "L" instead of "S"