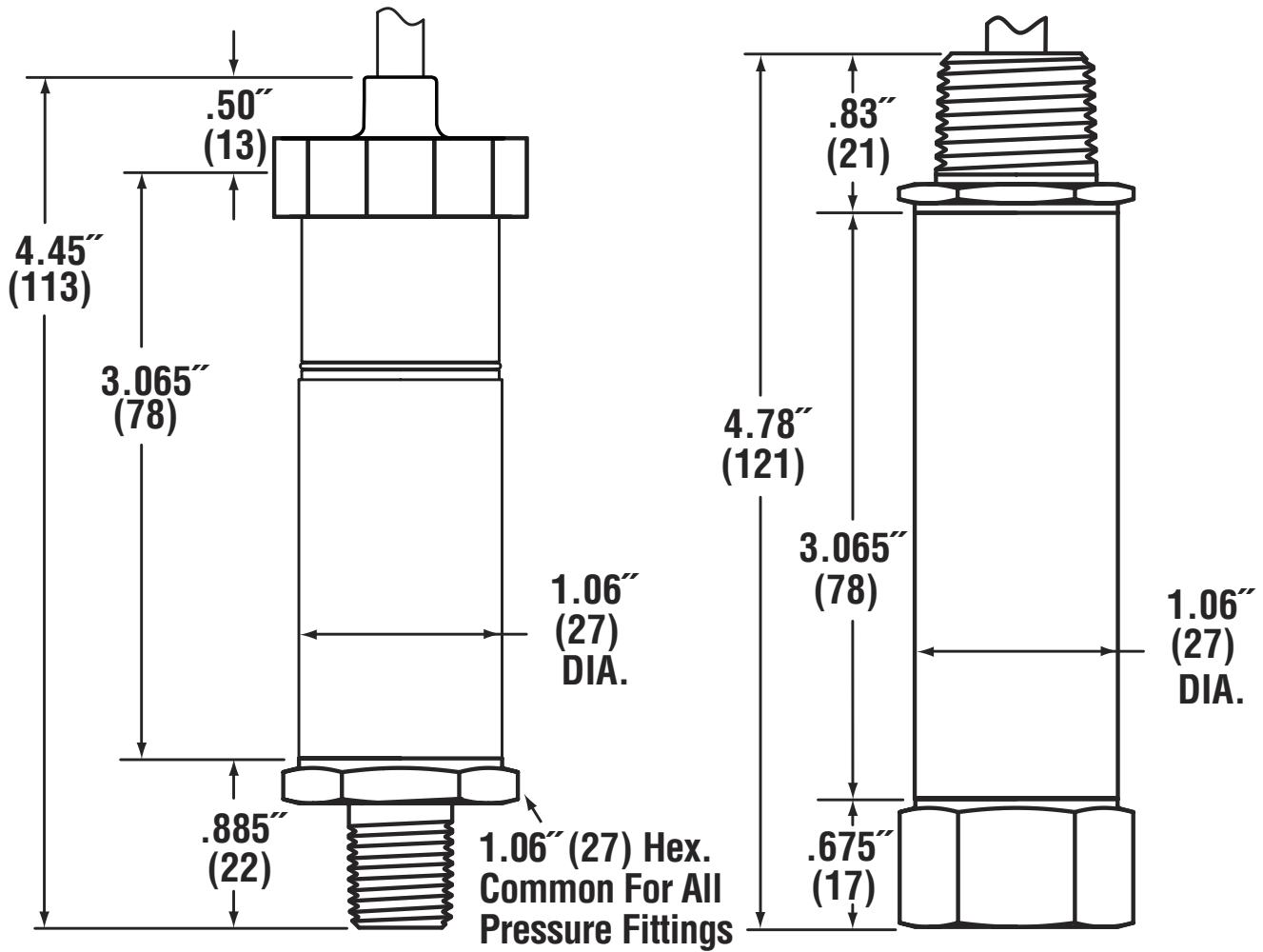


## Model A4 Intrinsically Safe and Non-Incendive Pressure Transmitter

A4 Dimension Drawing



INTRINSICALLY SAFE (ENCLOSURE S, W)