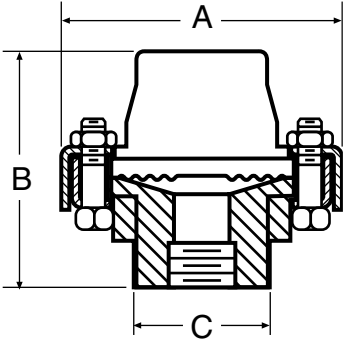


Diaphragm Seals & Pressure Instrument Isolators – Types 100, 200, 300 & 400

Types 100, 200, 300 & 400



**Types 100, 200, 300, 400 –
Threaded $\frac{1}{4}$, $\frac{1}{2}$, $\frac{3}{4}$, 1 NPT**

A		B		C	
in	mm	in	mm	in	mm
$3\frac{3}{4}$	(95)	$2\frac{7}{8}$	(73)	$1\frac{13}{16}$	(46)