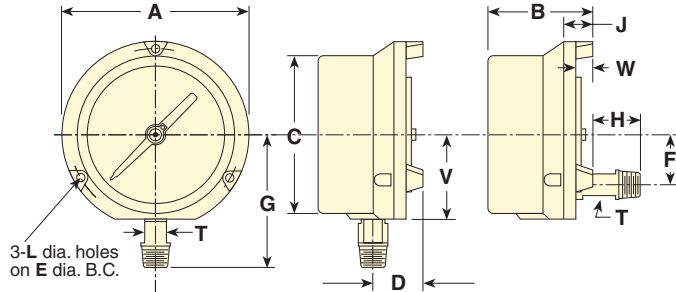
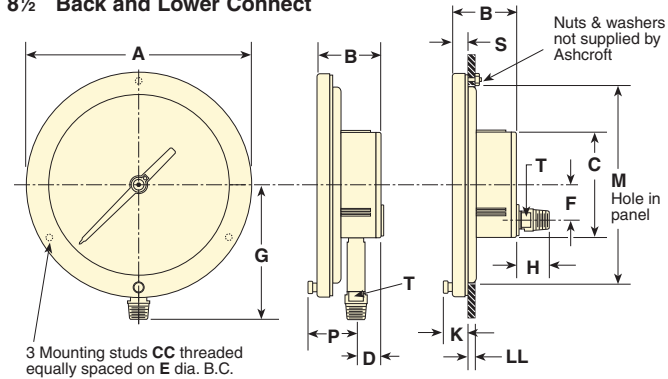


Type 1010 – 4½", 6", 8½" & 12" Refrigeration Gauges

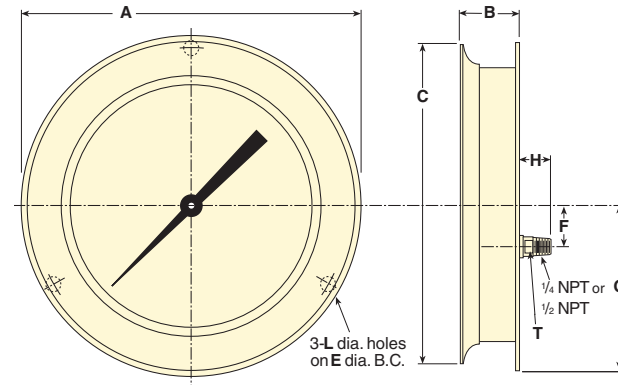
Case Type 1010
4½", 6" Back and Lower Connect



Case Type 1010
8½" Back and Lower Connect



Case Type 1010
12" Back and Lower Connect



Case Type 1010 4½", 6", 8½" and 12" Back and Lower Connect

Dial Size Inches	A	B	C	D	E	F	G	H	J	K	L	M	P	S	T	V	CC	LL	Wgt (lbs)
4½	5¼ (146)	3½ ³² (86)	4¼ (124)	1½ (41)	5¾ (137)	1½ (42)	3½ ¹⁶ (100)	¾ (20)	1½ ⁶⁴ (27)	—	.218 (6)	—	2¼ (54)	—	¾ (16)	2¾ (67)	—	¾-2 (3)(13)	2½
6	7¾ ¹⁶ (192)	3½ (89)	6¾ (162)	1½ (41)	7 (178)	1½ (42)	4½ (114)	¾ (20)	1½ ⁶ (27)	—	.218 (6)	—	2¼ (54)	—	¾ (16)	2¾ (67)	—		3½
8½	10¼ ¹⁶ (256)	2¼ (73)	4¾ (121)	1½ ¹⁶ (27)	9¾ (244)	1½ (41)	6 (152)	1¾ (35)	—	1½ ¹⁶ (27)	—	9 (228)	—	1½ ¹⁶ (17)	—	—	#10-24		4½
12	14½ (368)	2¼ ¹⁶ (75)	14¼ (361)	1½ ² (26)	13½ (343)	2½ (54)	7½ (191)	1½ ³² (36)	¾ (5)	—	.281 (7)	—	—	—	—	—	—		8

Drawings are for representation only. See dimension table.