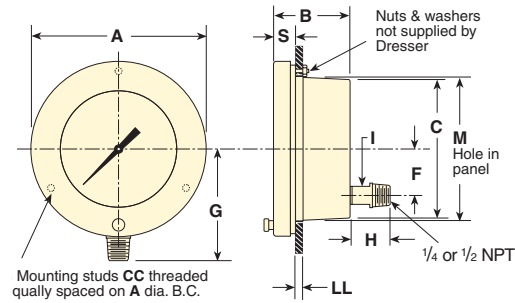


Types 1017 Refrigeration Gauges

Case Type 1017

4½", 6" and 8½" Back and Lower Connect



Case Type 1017 4½", 6" and 8½" Back Connect

Dial Size Inches	A	B	C	E	F	H	I	M	S	U	CC	LL	Wgt (lbs)
4½	6¼ (154)	2¾ (56)	4¼ (122)	5¾ (136,5)	1¾ (41)	1¾ (41)	5/8 (16)	47/8 (124)	5/8 (16)	¾ (19)	10-24	1¾-½ (3-13)	2.63 1.2 kg
6	7¾ (192)	2¾ (56)	6¼ (160)	7 (178)	2¼ (54)	1¾ (41)	5/8 (16)	6½ (165)	5/8 (16)	¾ (19)	¼-20	1¾-½ (3-13)	2.75 1.3 kg

Drawings are for representation only. See dimension table.