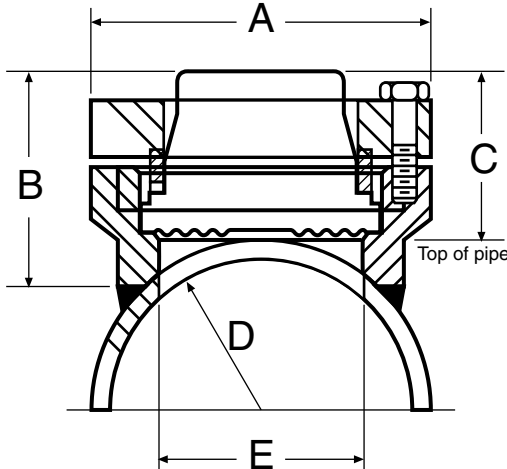


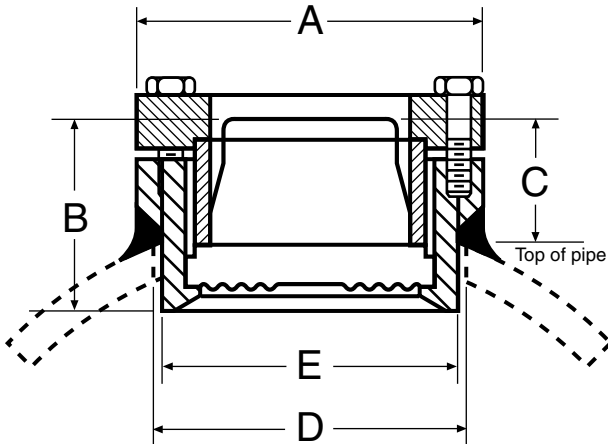
Diaphragm Seals & Pressure Instrument Isolators – Types 105 & 205

Types 105 & 205



Types 105, 205 – Saddle – 3" Pipe only

A		B		C		D		E	
in	mm	in	mm	in	mm	in	mm	in	mm
3½	(89)	2¼	(57)	1⅞	(48)	1¾	(44)	2⅞	(54)



Types 105, 205 – Saddle – 4" Pipe only

A		B		C		D		E	
in	mm	in	mm	in	mm	in	mm	in	mm
3½	(89)	1⅝	(50)	1⅞	(31)	3	(76)	2⅜	(75)