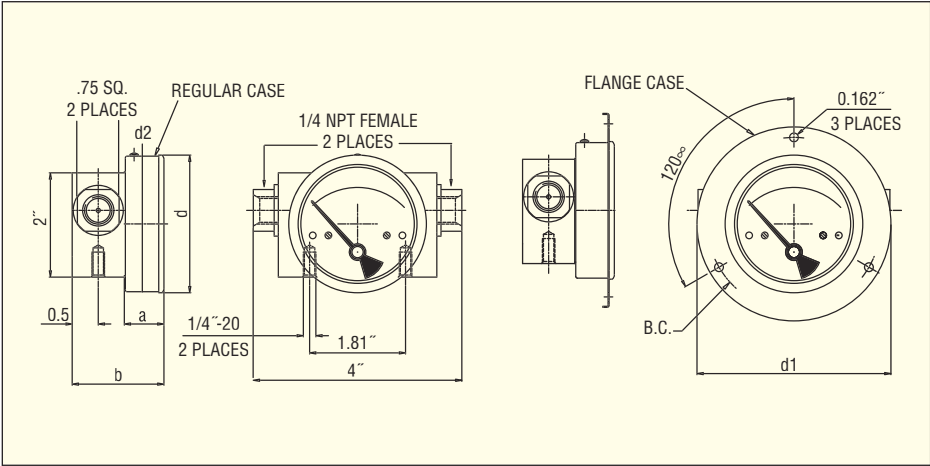


Differential Pressure Gauge Type 1130

Case Type 1130



Dial Size	a	b	d	d ¹	d ²	b.c.
2"	0.70"	1.70"	2.08"	3.11"	2.04"	2.72"
2.5"	0.75"	1.75"	2.59"	3.66"	2.55"	3.26"
3.5"	0.75"	1.75"	3.26"	4.29"	3.22"	3.89"
4"	0.75"	1.75"	4.10"	5.15"	4.01"	4.76"
4.5"	0.75"	1.75"	4.71"	5.74"	4.60"	5.35"
6"	0.75"	1.75"	6.07"	7.12"	6.00"	6.73"

Panel Cutout = d + .040"