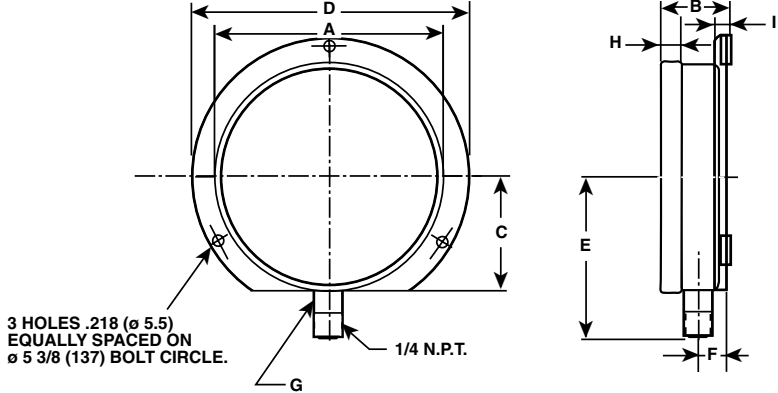


Commercial Gauge Type 2071A – 4 1/2"

Case Type 2071A



4 1/2"	A	B	C	D	E	F	Wrench Flats G	H	I	Weight
Inches	4.75	1.41	2.38	5.81	3.38	0.47	9/16	0.42	0.25	16 oz.
mm	(121)	(36)	(60)	(148)	(86)	(12)	(14)	(11)	(6)	