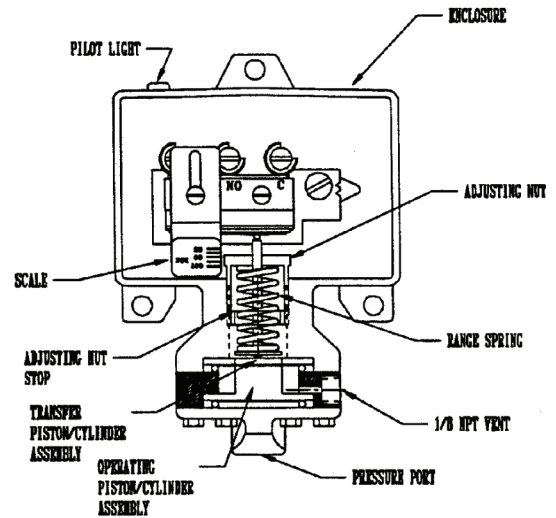


PRODUCT INFORMATION

**U.L. LISTED AND F.M. APPROVED
MEDIUM PRESSURE GAS AND OIL
LIMIT CONTROL – OPTION XG6**

The Ashcroft Medium Pressure Gas and Oil Limit Control Switch is designed for use with air, LP Gas, natural gas, numbers #1 & #2 fuel oil and No. #6 oil preheated to 240°F. This limit control is an adjustable pressure operated switch with a secondary chamber to prevent fuel from entering the switch enclosure in the unlikely event that the diaphragm develops a leak. The control shuts down a fuel pump in high or low pressure conditions. The standard feature of this control are:

- setpoint indicating scale
- adjusting nut stop
- secondary chamber with vent



U.L. REQUIREMENTS Underwriters Laboratories: MH8449

U.L. requires the control to be furnished with a setpoint indicating scale, an adjusting nut stop and a means of venting process fluid in the event of a diaphragm leak.

F.M. REQUIREMENTS Factory Mutual: J.I. OG6AZ.AF

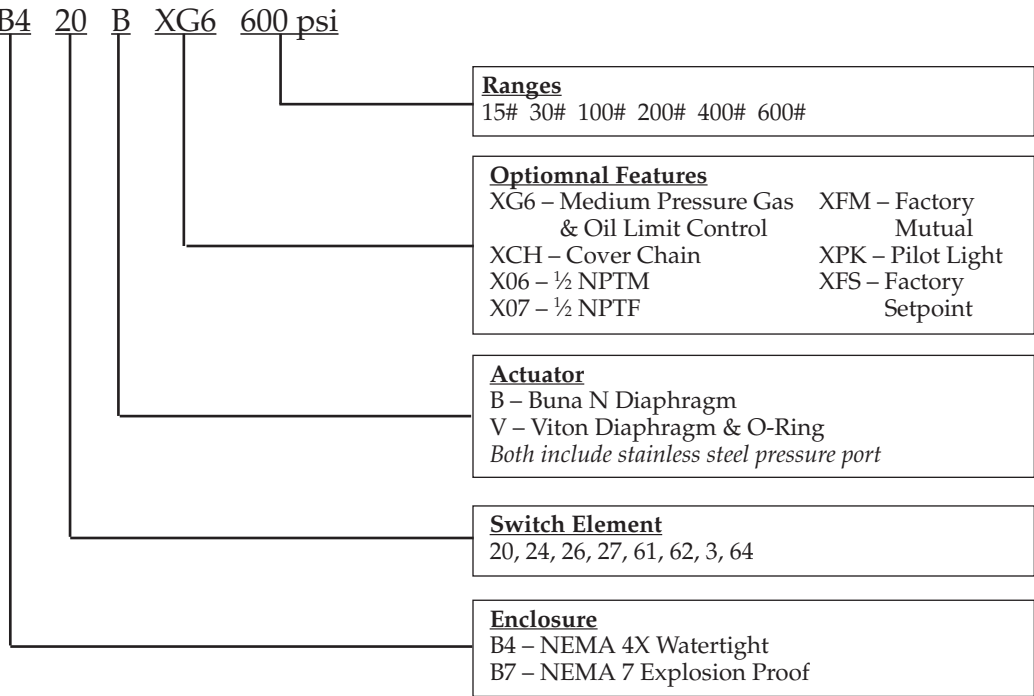
F.M. require the control to be equipped with a switch element position indicator. Ashcroft meets this requirement by furnishing a pilot light (XPK) marked – pressure normal – light on.

OPERATION

Operation is similar to that of a standard pressure switch. If a pressure diaphragm develops a leak, fluid is sealed from the electrical enclosure by a second diaphragm. Process fluid may then be vented to a safe area.

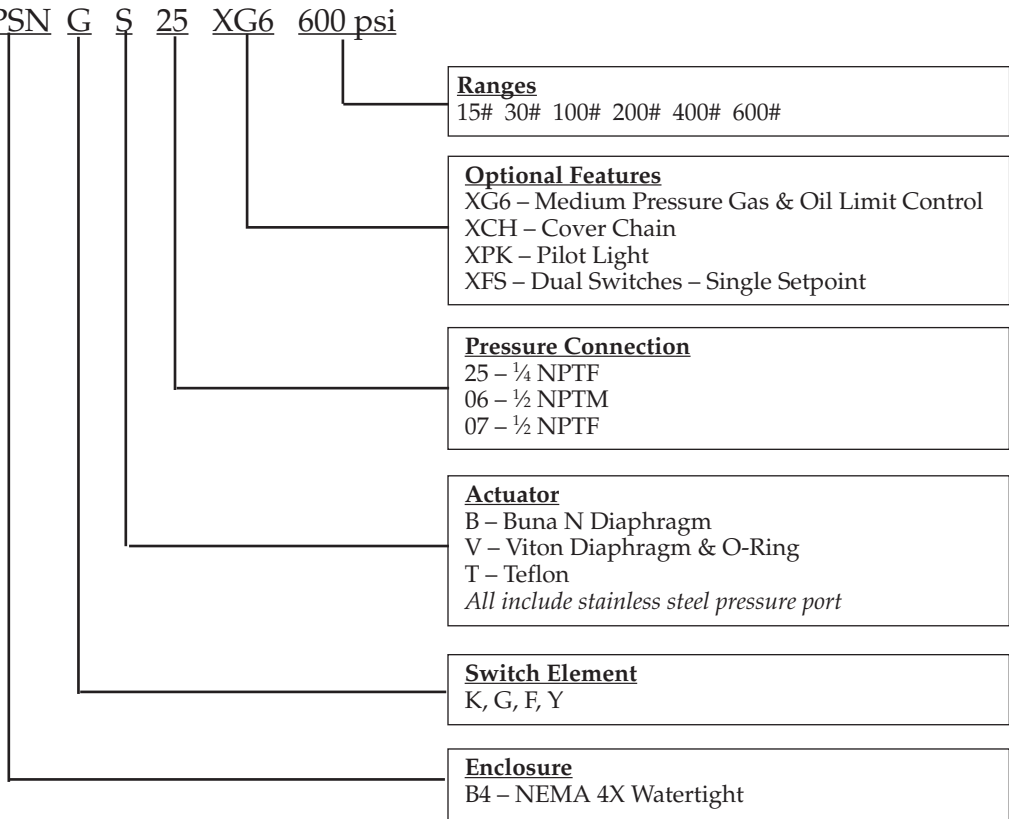
HOW TO ORDER

Typical B-Series Code: **B4 20 B XG6 600 psi**



HOW TO ORDER

Typical L-Series Code: **LPSN G S 25 XG6 600 psi**



*Consult Bulletin SW-10 or SWGL-1 for detailed information.