

1133 Differential Pressure Gauge

FEATURES

- High static pressure capability (500 psi)
- Ranges from 1 IWD to 25 IWD
- Reed switches (OPT.) for direct system control
- Superior magnets for smoother pointer motion
- Buna-N Diaphragm & O-Rings (others available)
- Large convoluted diaphragm actuator

TYPICAL USES

- Filtration monitoring
- Flow measurement
- Liquid level indication
- Leak detection



1133
3½", 4", 4½", 6" dial sizes

SPECIFICATIONS

Accuracy:	±2% ascending pressure full scale differential
Dial Sizes:	3½", 4", 4½", 6"
Ranges:	0-1 IWD to 25 IWD
Process Connection Location:	Lower, back, in-line
Process Connection Sizes:	¼ NPT Female (STD.), ⅛ or ½ NPT Female Adapters (OPT.)
Migration:	Zero
Maximum Process Temperature:	175° F (80° C)
Maximum Static Pressure:	500 psi
Weather Protection:	IP65

WETTED COMPONENTS

Actuator	O-Rings/Diaphragm	Body Material
Convoluted diaphragm	Buna-N	Aluminum or stainless steel

Ceramic magnet & SS spring are also wetted components

NON-WETTED COMPONENTS

Case Material	Window
Stainless Steel	Glass (STD.), safety glass or plastic (OPT.)

KEY BENEFITS

- No migration of the process media
- Switch outputs available
- 5 year warranty

RATINGS FOR STANDARD REED SWITCHES

Switches	Contact Rating	Current	Voltage
SPST	10 VA ac (rms) or dc (Max.)	0.5 Amp ac (rms) or dc (Max.)	100 Vac/Vdc (Max.)
SPDT	3 VA ac (rms) or dc (Max.)	0.3 AMP ac (rms) or dc (Max.)	30 Vac/Vdc (Max.)

Data Sheet

1133 Differential Pressure Gauge

ORDERING CODE	Example:	35	1133	S	D	25	S	XV1	5#
Dial Size									
35 - 3½"		35							
40 - 4"									
45 - 4½"									
60 - 6"									
Series			1133						
1133 - Large Convuluted Diaphragm			1133						
Body Material									
F - Aluminum									
S - Stainless steel				S					
Case Fill									
D - Dry					D				
L - Glycerin fill (Liquid fill has an effect on accuracy that varies with range and temperature)									
Process Connection Size									
25 - ¼ NPT Female						25			
Process Connection Location									
S - In-Line							S		
L - Lower									
B - Back									
Options (If choosing an option(s) must include an "X")								X__	
BF - Surface mounting plate									
CS - Dual scale									
DD - Color band (any combination of green, yellow, red)									
GE - ⅜ NPT Female adapters									
GM - ½ NPT Female adapters									
EP - Maximum pointer									
FF - Front flange									
VD - Viton® Diaphragm and O-rings									
EM - EPDM Diaphragm and O-rings									
GV - Silicone fill (Recommended for outside applications even though unit is hermetically sealed)									
PD - Plastic window									
SG - Safety glass									
TM - Pipe mounting bracket									
V1 - 1-SPST switch w/DIN plug (Adj. from 30%-100% of range. Preset @ 90%)								V1	
V3 - 2-SPST switch w/DIN plug (Adj. from 30%-100% of range. Preset @ 90%)									
V5 - 1-SPDT switch w/DIN plug (Adj. from 30%-100% of range. Preset @ 90%)									
V7 - 2-SPDT switch w/DIN plug (Adj. from 30%-100% of range. Preset @ 90%)									
Range (coding examples only, see range table on page 3 for all standard ranges)									
5# - 5 psi									5#

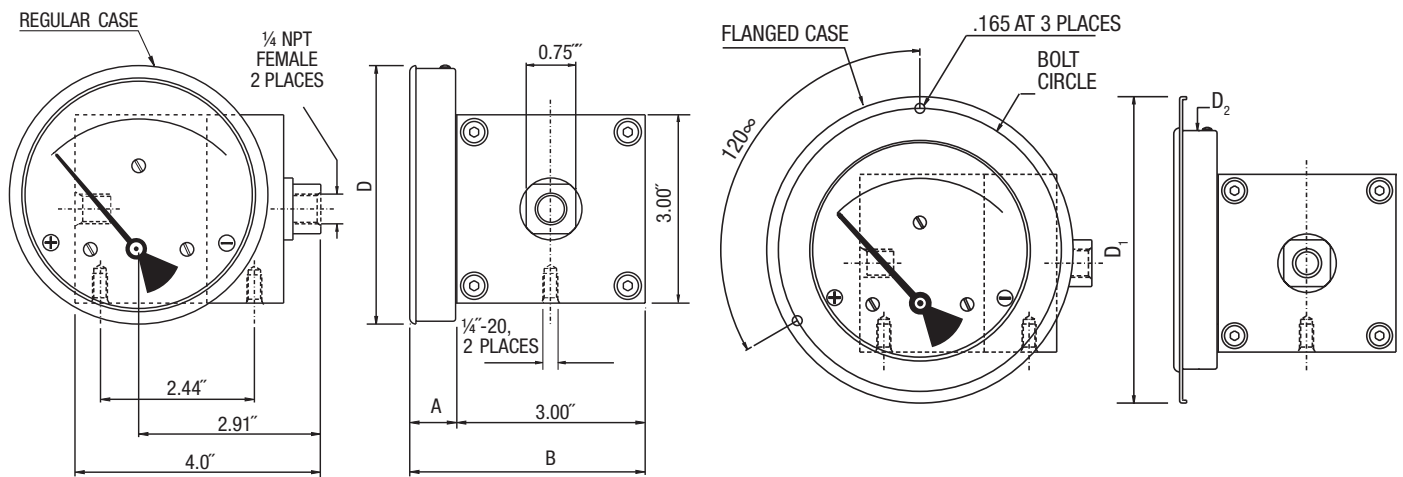
Data Sheet

1133 Differential Pressure Gauge

1133 - Single Scale	
in. H ₂ O	mmH ₂ O
1IW	25MW
2IW	50MW
5IW	125MW
10IW	250MW
25IW	600MW

DIMENSIONS

For reference only, consult Ashcroft for specific dimensional drawings.



Dial Size (Inches)	A	B	D	D ₁	D ₂	Bolt Circle
3.5	0.75"	3.75"	3.25"	4.29"	3.22"	3.90"
4	0.75"	3.75"	4.10"	5.15"	4.01"	4.75"
4.5	0.75"	3.75"	4.75"	5.74"	4.60"	5.40"
6	0.75"	3.75"	6.07"	7.12"	6.00"	6.75"