

Direct and Remote Mount 5-Valve Manifolds - V02 Series

Features

- 5-valve manifolds isolate and bleed the process for each port as well as equalize pressure for instrument maintenance
- 316L Stainless steel construction
- Support mounting brackets available

Typical Uses

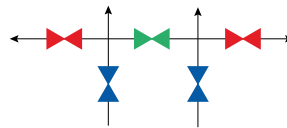
- Oil & Gas Industry
 - Upstream: Onshore/offshore production
 - Midstream: Transport, storage and natural gas compression
 - Downstream: Refineries and petrochemical industries
- Chemical Industry
- Power Plants
 - Conventional power plants
 - Flue gas desulfurization plants
- Other Industries
 - Waste incineration plants
 - Seawater desalination plants
 - Steel mills
 - Cement plants



STYLE A
(DIRECT MOUNT)*



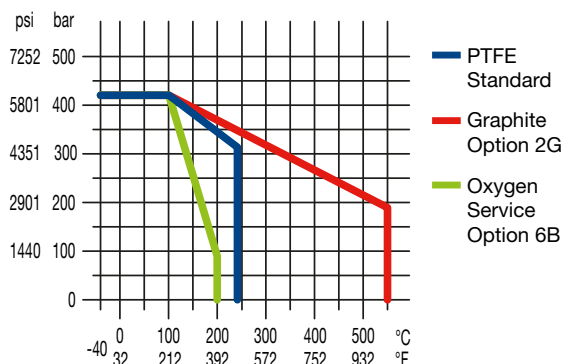
STYLE B
(REMOTE MOUNT)



*Compatible with Ashcroft 5503 and F5504 gauges only

Specifications

Process Connection:	½ NPT Female
Instrument Connection:	Remote Mount: ½ NPT Female Direct Mount: IEC, Type A
Construction:	316 Stainless steel
Max. Pressure Rating:	6092 psi at 100 °F (420 bar at 38 °C) more details, check chart below
Material	Min./Max. Temperature Ratings
PTFE	-40 °F to 450 °F (-40 °C to 232 °C)
Graphite	-40 °F to 1022 °F (-40 °C to 550 °C)
Oxygen Service	max. 392 °F (200 °C)



Key Benefits

- Available for oxygen service
- Color-coded dust caps prevent dust ingress and identifies handle function
- PTFE Packing (other materials available upon request)
- Stem with cold rolled surface, back seat and non-rotating needle tip
- Supplied with wetted parts according to NACE MR0175/MR0103
- Material traceability reports available per EN 10204 3.1

Wetted Components

Parts	Material
Body, valve stem, screw plug	316L Stainless steel
Needle tip	316Ti Stainless steel
Packing	PTFE up to 450 °F (232 °C)
Gland Nut	316 Stainless steel

Non-Wetted Components

Parts	Material
Bonnet	316 Stainless steel
T-Handle	Stainless steel

Contact Us

1 800-328-8258
ashcroft.com

All specifications are subject to change without notice. All sales subject to standard terms and conditions. Ashcroft® and Trust the Shield® are trademarks of Ashcroft Inc. The following non-Ashcroft trademarks are the property of their respective owners: Monel®, Hastelloy®. For more information, see [Ashcroft Brands & Trademarks](#)
©2026 Ashcroft Inc. 5valve-02_ds_RevD_14-May-26

Direct and Remote Mount 5-Valve Manifolds - V02 Series

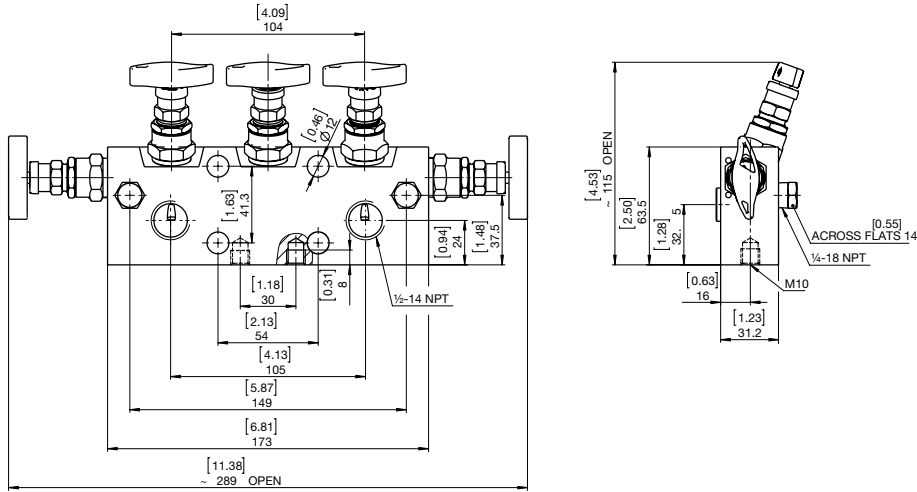
Ordering Code	Example:	50	V02	5VB	SS	50	XNH
Process Connection							
50 - ½ NPT Female		50					
Series Code							
V02 - V02 Series valve			V02				
Valve Style							
5VA - Style A - Direct (compatible with 5503 and F5504, instrument connection code 60 only)				5VB			
5VB - Style B - Remote							
Material							
SS - 316 Stainless steel					SS		
PM - Monel® 400 (2.4360)							
HH - Hastelloy® C-276 (2.4819)							
Instrument Connection							
50 - ½ NPT Female (Style B only)						50	
60 - IEC Type A (style A only)							
Options (if choosing an option(s) must include an "X")							X _ _
Tags							
NH - Stainless steel tag wired to valve							NH
Mounting Bracket							
TM - 2" Pipe Mounting Bracket							
Testing/Certificates							
HY - Pneumatic/hydrostatic testing							
MQ - Positive material identification							
C3 - Material traceability report per EN 10204.2004 3.1							
1H - Pneumatic/Hydrostatic testing of assemblies							
Special Cleaning							
6B - Cleaned for gaseous oxygen service							
Other							
P7 - Compliance with power piping ASME B31.1							
2G - Graphite bonnet for high temperatures							
Assembly Codes							
A9 - Instrument Assembly: Differential Pressure Instrument /Capillary Lines/Swivel Adapters/ Style B manifold							
5G - Valve attached to differential gauge (Style A manifold only)							
Certification (miscellaneous charges not included within model code)							
CD-5 - Certificate according to NACE for Oilfields MR0175/ISO 15156-2009 and for Refineries MR0103-2010							

Direct and Remote Mount 5-Valve Manifolds - V02 Series

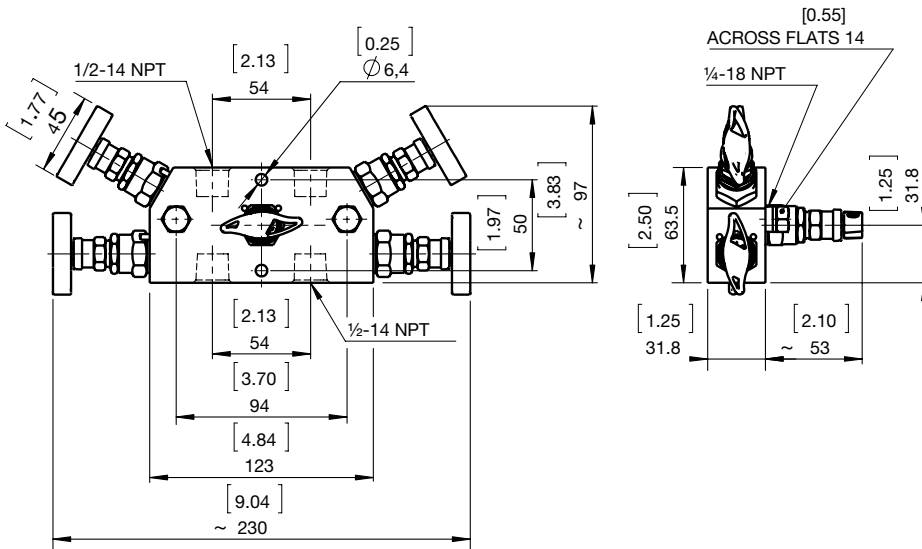
Dimensions in [] are decimal inches

For reference only, consult Ashcroft for specific dimensional drawings

Style A



Style B

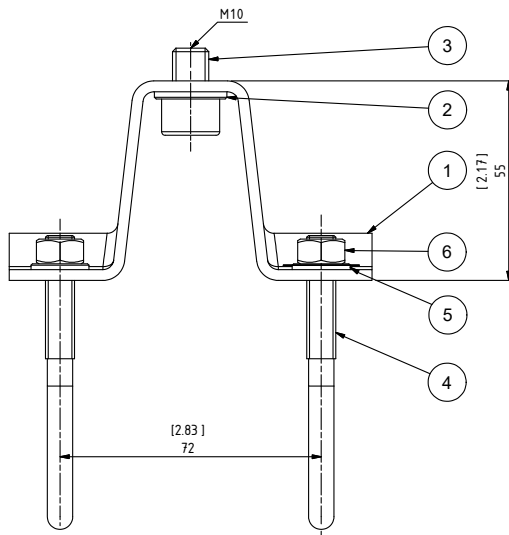
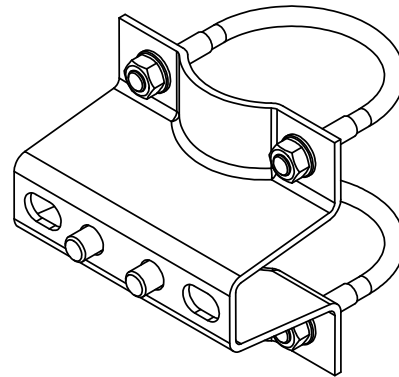
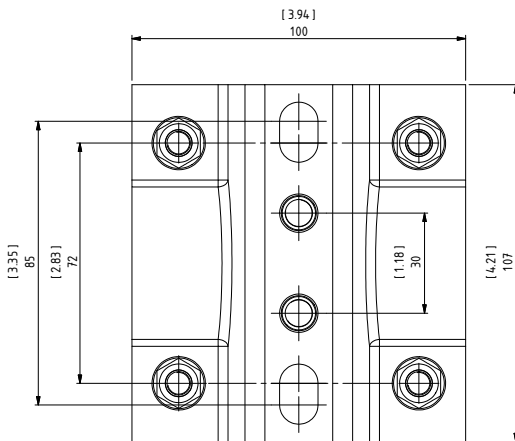


Direct and Remote Mount 5-Valve Manifolds - V02 Series

Dimensions in [] are decimal inches

For reference only, consult Ashcroft for specific dimensional drawings

2" Pipe Mounting Bracket (XTM)



POS.	Description	Material
1	Mounting bracket	316L Stainless steel
2	Washer 8,4 DIN 128-B	316L Stainless steel
3	Socket head cap screw	316L Stainless steel
4	U-bolt M8 for 2" pipe	316L Stainless steel
5	Washer 8,4 DIN 128-B	316L Stainless steel
6	Hexagon nut DIN EN 24032-M8	316L Stainless steel

Contact Us

1 800-328-8258

ashcroft.com

All specifications are subject to change without notice. All sales subject to standard terms and conditions. Ashcroft® and Trust the Shield® are trademarks of Ashcroft Inc. The following non-Ashcroft trademarks are the property of their respective owners: Monel®, Hastelloy®. For more information, see [Ashcroft Brands & Trademarks](#)
©2026 Ashcroft Inc. 5valve-02_ds_RevD_14-May-26