

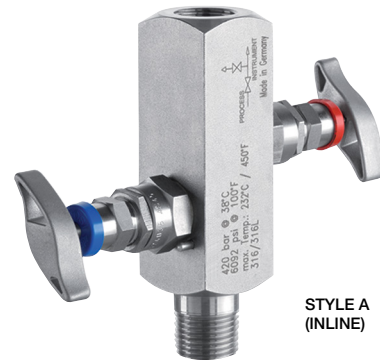
Gauge Valve – V02 Series Block and Bleed Manifold

Features

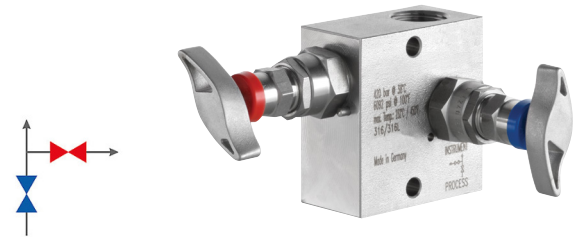
- Isolates and bleeds process from instrument assembly pressure for instrument maintenance
- 316L Stainless steel construction
- Support mounting brackets available

Typical Uses

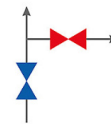
- Oil & Gas Industry
 - Upstream: Onshore/offshore production
 - Midstream: Transport, storage and natural gas compression
 - Downstream: Refineries and petrochemical industries
- Chemical Industry
- Power Plants
 - Conventional power plants
 - Nuclear power plants
 - Flue gas desulfurization plants
- Other Industries
 - Waste incineration plants
 - Seawater desalination plants
 - Steel mills
 - Cement plants



STYLE A
(INLINE)

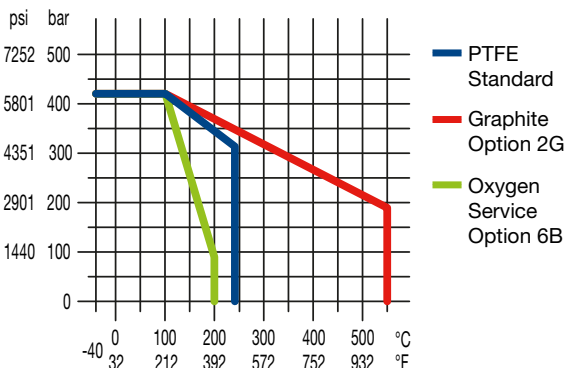


STYLE B
(L-SHAPE)



Specifications

Process Connection:	Style A ½ NPT Male Style B ½ NPT Female Style C ½ NPT Female
Instrument Connection:	½ NPT Female
Construction:	316 Stainless steel
Max. Pressure Rating	6,092 psi at 100 °F (420 bar at 38 °C) more details, check chart below
Max. Temperature Rating for:	
PTFE	450 °F (232 °C)
Graphite	1022 °F (550 °C)
Oxygen service	392 °F (200 °C)
Min. Temperature Rating for:	
PTFE	-40 °F (-40 °C)
Graphite	-40 °F (-40 °C)



Key Benefits

- Available for oxygen service
- Color-coded dust caps prevent dust ingress and identifies handle function
- PTFE packing (other materials available upon request)
- Stem with cold rolled surface, back seat and non-rotating needle tip
- Supplied with wetted parts according to NACE MR0175/MR0103 (CD-5 Certificate)
- Material traceability reports available per EN 10204 3.1

Components	Material
Wetted	
Body	316L Stainless steel (1.4404)
Valve stem	316L Stainless steel (1.4404)
Needle tip	316Ti Stainless steel (1.4571)
Packing	PTFE up to 450 °F (232 °C)
Gland nut	304 Stainless steel (1.4301)
Screw plug	316L Stainless steel (1.4404)
Non-Wetted	
Bonnet	316 Stainless steel (1.4401)
T-handle	316 Stainless steel (1.4401)

Contact Us

1 800-328-8258
ashcroft.com

All specifications are subject to change without notice. All sales subject to standard terms and conditions. Ashcroft® and Trust the Shield® are trademarks of Ashcroft Inc.

The following non-Ashcroft trademarks are the property of their respective owners: Hastelloy®, Monel®.

For more information, see [Ashcroft Brands & Trademarks](#) ©2026 Ashcroft Inc. V02-2V_acc_ds_RevF_22-May-26

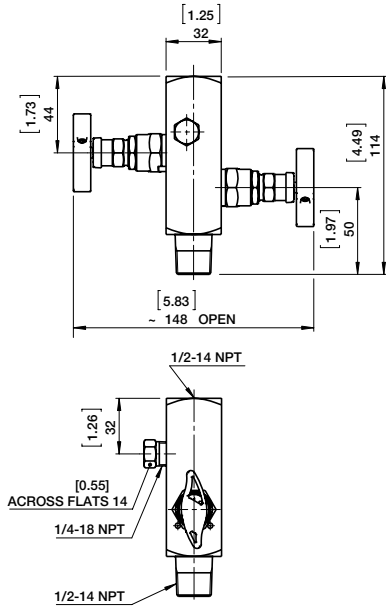
Gauge Valve – V02 Series Block and Bleed Manifold

Ordering Code	Example:	04	V02	2V	A	SS	50	X2G
Process Connection (other sizes available O/A)								
02 - ¼ NPT Male (style A only)								
04 - ½ NPT Male (style A only)		04						
25 - ¼ NPT Female								
50 - ½ NPT Female								
Series Code								
V02 - Valve			V02					
Valves								
2V - 2 Valve				2V				
Version								
A - Style A (In-line)					A			
B - Style B (L-shape) (n/a with ½ NPT male process connection)								
C - Style C (Y-shape) (n/a with ½ NPT male process connection)								
Material (other materials available upon request)								
SS - 316L Stainless steel						SS		
PM - Monel® 400								
HH - Hastelloy® C-276								
Instrument Connection (other sizes available O/A)								
04 - ½ NPT Male (style A only)								
25 - ¼ NPT Female								
50 - ½ NPT Female							50	
Options (if choosing an option(s) must include an "X")								
X _ _								
Tags								
NH - Stainless steel tag wired to valve								
Mounting Bracket								
TM - 2" Pipe mounting bracket								
Testing/Certificates								
HY - Pneumatic/hydrostatic testing								
MQ - Positive material identification								
C3 - Material traceability report per EN 10204.2004 3.1								
1H - Pneumatic/Hydrostatic testing of assemblies								
Special Cleaning								
6B - Cleaned for gaseous oxygen service								
6W - Cleaned for gases other than oxygen								
Assembly Codes								
E8 - Instrument Assembly: Instrument/Snubber/Diaphragm Seal/Valve								
F4 - Instrument Assembly: Instrument/Diaphragm Seal/Valve								
Q5 - Instrument Assembly: Instrument/ Accessory/Valve								
5G - Valve attached to instrument								
Other								
P7 - Compliance with power piping ASME B31.1								
2G - Graphite bonnet for high temperatures								
2G								
Certification (miscellaneous charges not included within model code)								
CD-5 - Certificate according to NACE for Oilfields MR0175/ISO 15156-2009 and for Refineries MR0103-2010								

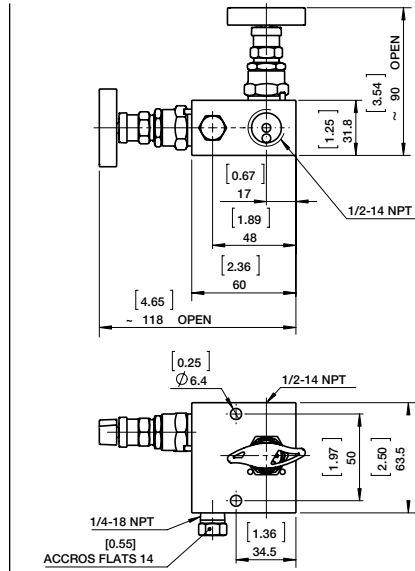
Gauge Valve – V02 Series Block and Bleed Manifold

Dimensions (Dimensions in [] are Decimal Inches)

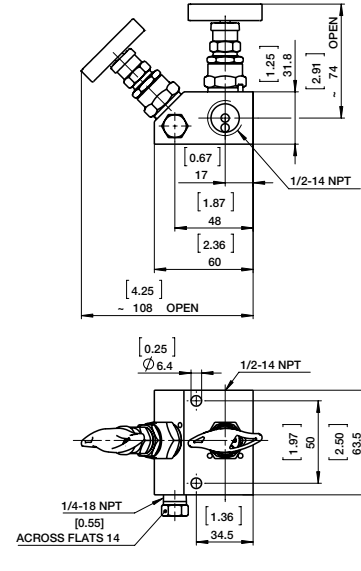
Drawings are for reference only, consult Ashcroft for specific dimensional drawings.



Style A (In-line)



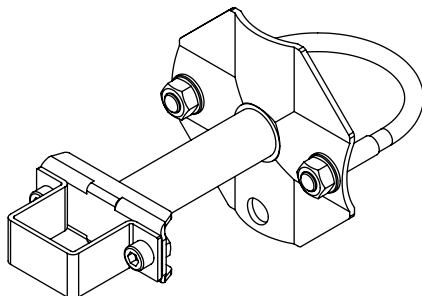
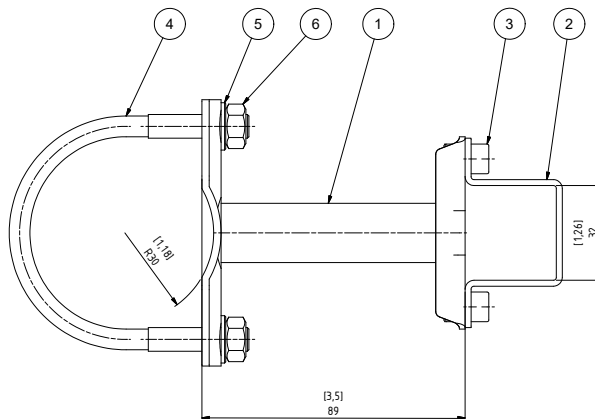
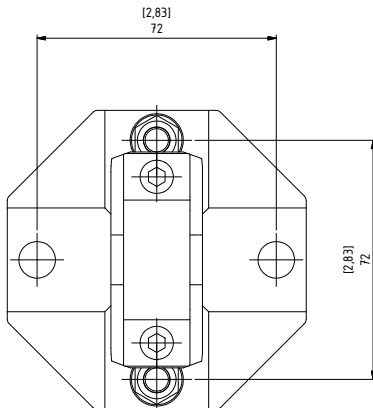
Style B (L-shape)



Style C (Y-shape)

Option TM - 2" Pipe Mounting Bracket (Dimensions in [] are Decimal Inches)

Drawings are for reference only, consult Ashcroft for specific dimensional drawings.



Pos.	Description	Material
1	Mounting bracket	316Ti Stainless steel
2	Bracket	316Ti Stainless steel
3	Socket head cap screw ISO 4762 -M6x10	316 Stainless steel
4	U-bolt M8 for 2" pipe	316 Stainless steel
5	Washer 8,4 DIN 128-B	316 Stainless steel
6	Hexagon nut DIN EN 24032-M8	A4