

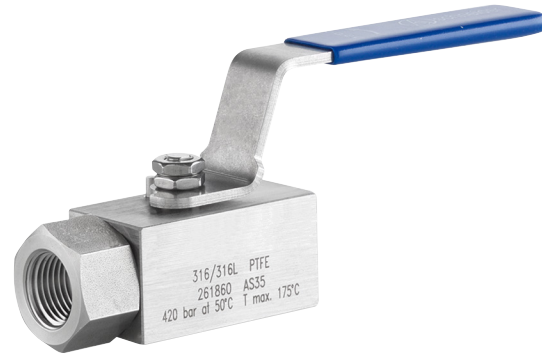
High Pressure Ball Valve - V02 Series

Features

- Floating ball design provides bi-directional isolation
- PTFE Packing
- Anti-blowout stem design
- Available with Certificate according to NACE for Oilfields MR0175/ISO 15156-2009 and for Refineries MR0103-2010 (Misc. Line Charge)

Typical Uses

- Oil & Gas Industry
 - Upstream: Onshore/offshore production
 - Midstream: Transport, storage and natural gas compression
 - Downstream: Refineries and petrochemical industries
- Chemical Industry
- Power Plants
 - Conventional power plants
 - Nuclear power plants
 - Flue gas desulfurization plants
- Other Industries
 - Waste incineration plants
 - Seawater desalination plants
 - Steel mills
 - Cement plants



V02
High Pressure Ball Valve

Key Benefits

- 316 Stainless steel construction
- 90° turn opens or closes valve quickly
- 10mm bore hole

Specifications	
Process Conn:	½ NPTM or ½ NPTF
Instrument Conn:	½ NPTF
Construction:	316 Stainless steel
Max Pressure Rating (PTFE):	6092 psi
Max Temperature Rating (PTFE):	347 °F (175 °C)

Components	Material
Wetted	
Body	316/316L Stainless steel
Body end connector	316/316L Stainless steel
Ball	316/316L Stainless steel
Stem	316/316L Stainless steel
Ball seat	PTFE
Body seals	PTFE
Stem seals	PTFE
Non-Wetted	
Gland	316 Stainless steel
Hex nut	316 Stainless steel
Handle	316 Stainless steel
Handle grip	316 Stainless steel
Stop pin	316 Stainless steel
Antistatic spring	316 Stainless steel

High Pressure Ball Valve - V02 Series

Ordering Code	Example:	50	V02	BV	A	SS	50	XNH
Process Connection								
04-½ NPT Male								
50-½ NPT Female		50						
Series Code								
V02-Valve			V02					
Valves								
BV - Ball Valve				BV				
Version								
A - Style A					A			
Material								
SS - 316 Stainless steel						SS		
Instrument Connection								
50-½ NPT Female							50	
Options (if choosing an option(s) must include an "X")								X__
Tags								
NH - SS tag wired to valve								NH
Testing/Certificates								
HY - Pneumatic/Hydrostatic testing								
MQ - Positive material identification								
C3 - Material traceability report per EN 10204.2004 3.1								
Special Cleaning								
6B - Cleaned for gaseous oxygen service								
Assembly Codes								
E8 - Instrument Assembly: Instrument/Snubber/Diaphragm Seal/Valve								
F4 - Instrument Assembly: Instrument/Diaphragm Seal/Valve								
Q5 - Assembly Code: Instrument/Accessory/Valve								
5G - Valve attached to instrument								
Certification (miscellaneous charges not included within model code)								
CD-5 - Certificate according to NACE for Oilfields MR0175/ISO 15156-2009 and for Refineries MR0103-2010								

Dimensions

For reference only, consult Ashcroft for specific dimensional drawings

