

PD02 Pressure Snubber

Features

- 316L Stainless steel, Hastelloy® C-276 or Monel® body
- External pulsation adjustment to meet a variety of applications
- Wetted parts compatible with many processes

Typical Uses

- Oil and gas
- Refineries
- Chemical and petrochemical
- Water and wastewater
- Biogas and biodiesel



PD02
Pressure Snubber

Specifications

Process Conn: ½ NPT Male

Instrument Conn: ½ NPT Female

Max Allowable Working Pressure: 6000 psi

Maximum Temperature: 248 °F/120 °C

Wetted Components

Part	Style A	Style B	Style C
Body	316L SS	Hastelloy® C-276®	Monel®
Valve Stem	316L SS	Hastelloy® C-276®	Monel®
O-Ring	FKM	FKM	FKM

Non-Wetted Components

Part	Style A	Style B	Style C
Screw Plug	316Ti SS	316Ti SS	316Ti SS

Key Benefits

- External adjustment allows for dampening action to be increased or decreased
- Protects pressure instrument from process pressure pulsation
- Certificate according to NACE for Oilfields MR0175/ISO 15156-2009 and for Refineries MR0103-2010 (Misc. Line Charge)

Contact Us

1.800.328.8258

ashcroft.com

All specifications are subject to change without notice. All sales subject to standard terms and conditions.

Ashcroft®, and Trust the Shield® are trademarks of Ashcroft Inc. These non-Ashcroft trademarks are the property of their respective owners: Hastelloy® Monel®. Refer to [Ashcroft Brands & Trademarks](#) ©2026 Ashcroft Inc. PD02_acc_ds_RevC_12-May-26

PD02 Pressure Snubber

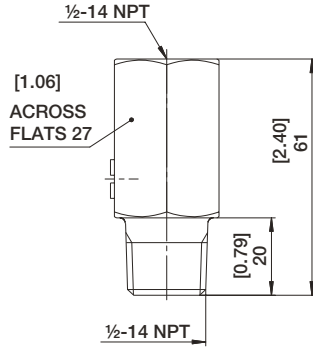
Ordering Code	Example:	04	PD02	A	SS	50	- X5G
Process Connection							
04 - ½ NPT Male							
Model							
PD02 - Pressure snubber			PD02				
Style							
A - 316L Stainless steel				A			
B - Hastelloy® C-276							
C - Monel®							
Material							
SS - 316L Stainless steel					SS		
HH - Hastelloy® C-276							
PM - Monel®							
Instrument Connection							
50 - ½ NPT Female							
Options (if choosing an option(s) must include an "X")							- X _ _
Tags							
NH - Stainless steel tag wired to snubber							
Testing/Certificates							
HY - Pneumatic/Hydrostatic testing							
MQ - Positive material identification							
C3 - Material traceability report per EN 10204.2004 3.1							
1H - Pneumatic/Hydrostatic test of assemblies							
Special Cleaning							
6B - Cleaned for oxygen service							
Assembly Codes							
FA - Instrument Assembly: Instrument/Snubber/Capillary or Micro-Tube Siphon / Diaphragm Seal							
E9 - Instrument Assembly: Instrument/Snubber/Siphon							
F6 - Instrument Assembly: Instrument/Snubber/Diaphragm Seal							
Q5 - Instrument Assembly: Instrument/Snubber/Valve							
5G - Snubber attached to instrument							5G
Certification (miscellaneous charges not included with model code)							
CD-5 - Certificate according to NACE for Oilfields MR0175/ISO 15156-2009 and for Refineries MR0103-2010 (Misc. Charge)							

PD02 Pressure Snubber

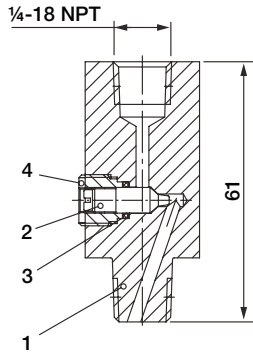
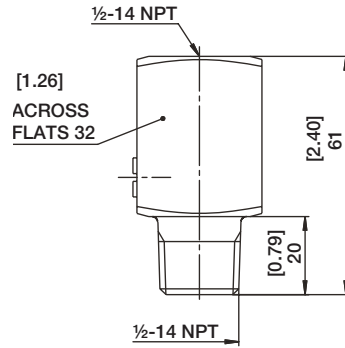
Dimensions

For reference only, consult Ashcroft for specific dimensional drawings

**Style A/C Snubber
(316L SS/Monel®)**



**Style B Snubber
Hastelloy® C-276**



COMPONENTS	
Part	Materials
1 - Body	316L Stainless steel
2 - Valve Stem	316L Stainless steel
4 - Screw Plug	316Ti Stainless Steel
3 - O-Ring	FKM