

Data Sheet

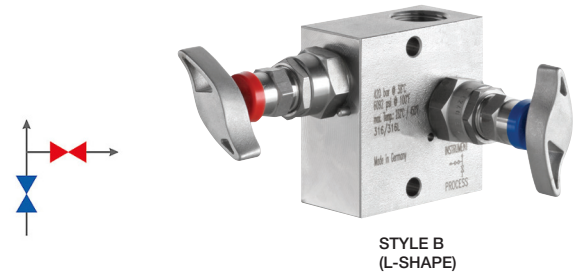
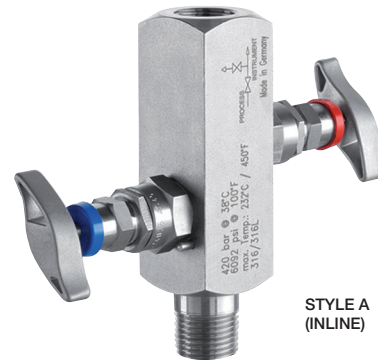
Gauge Valve – V02 Series Block and Bleed Manifold

FEATURES

- Isolates and bleeds process from instrument assembly pressure for instrument maintenance
- 316L Stainless steel construction
- Support mounting brackets available

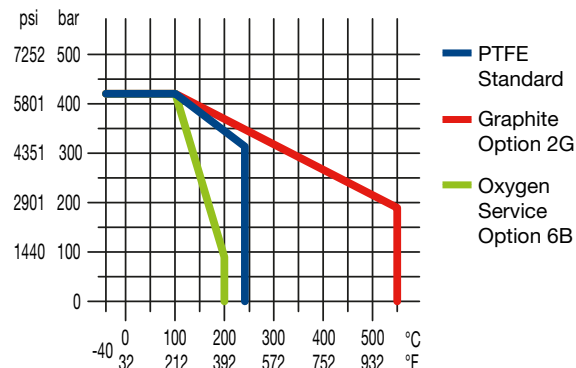
TYPICAL USES

- Oil & Gas Industry
 - Upstream: Onshore/offshore production
 - Midstream: Transport, storage and natural gas compression
 - Downstream: Refineries & petrochemical industries
- Chemical Industry
- Power Plants
 - Conventional power plants
 - Flue gas desulfurization plants
- Other Industries
 - Waste incineration plants
 - Seawater desalination plants
 - Steel mills
 - Cement plants



SPECIFICATIONS

Process Connection:	Style A ½ NPT Male Style B ½ NPT Female Style C ½ NPT Female
Instrument Connection:	½ NPT Female
Construction:	316 Stainless steel
Max. Pressure Rating	6,092 psi at 100 °F (420 bar at 38 °C) more details, check chart below
Max. Temperature Rating for:	
PTFE	450 °F (232 °C)
Graphite	1022 °F (550 °C)
Oxygen service	392 °F (200 °C)
Min. Temperature Rating for:	
PTFE	-40 °F (-40 °C)
Graphite	-40 °F (-40 °C)



KEY BENEFITS

- Available for oxygen service
- Color-coded dust caps prevent dust ingress and identifies handle function
- PTFE packing (other materials available upon request)
- Stem with cold rolled surface, back seat and non-rotating needle tip
- Supplied with wetted parts according to NACE MR0175/MR0103 (CD-5 Certificate)
- Material traceability reports available per EN 10204 3.1

COMPONENTS

Wetted

COMPONENTS	MATERIAL
Body	1.4404 (316L SS)
Valve stem	1.4404 (316L SS)
Needle tip	1.4571 (316Ti SS)
Packing	PTFE up to 390 °F (200 °C)
Gland nut	1.4301 (304 SS)
Screw plug	1.4404 (316L SS)

Non-Wetted

Bonnet	316 SS (1.4401)
T-handle	316 SS (1.4401)

Data Sheet

Gauge Valve – V02 Series Block and Bleed Manifold

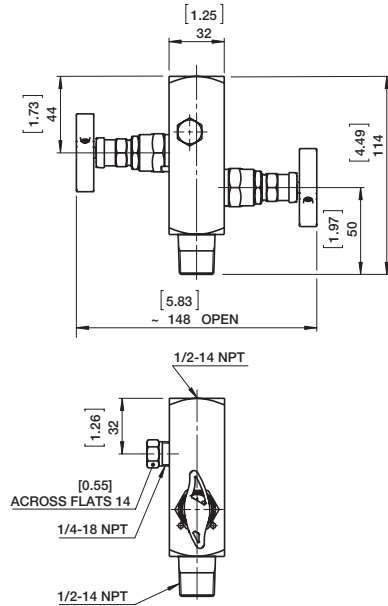
ORDERING CODE	Example:	04	V02	2V	A	SS	50	X2G
Process Connection								
02 - ¼ NPT Male (style A only)								
04 - ½ NPT Male (style A only)		04						
25 - ¼ NPT Female								
50 - ½ NPT Female								
Series Code								
V02 - Valve			V02					
Valves								
2V - 2 Valve				2V				
Version								
A - Style A (In-line)					A			
B - Style B (L-shape)								
C - Style C (Y-shape)								
Material								
SS - 316L Stainless steel						SS		
PM - Monel® 400								
HH - Hastelloy® C-276								
Instrument Connection								
04 - ½ NPT Male (style A only)								
25 - ¼ NPT Female								
50 - ½ NPT Female							50	
Options (if choosing an option(s) must include an "X")								
C3 - Material traceability report per EN 10204 3.1								X _ _
CD-5 - Certificate according to NACE for Oilfields MR0175/ISO 15156-2009 and for Refineries MR0103-2010								
P7 - Power piping acc. to ASME B31.1								
2G - Graphite bonnet for high temperatures								2G
HY - Hydrostatic testing								
NH - Stainless steel tags wired to valve								
TM - 2" Pipe mounting bracket								
6B - Cleaned for oxygen service								

Data Sheet

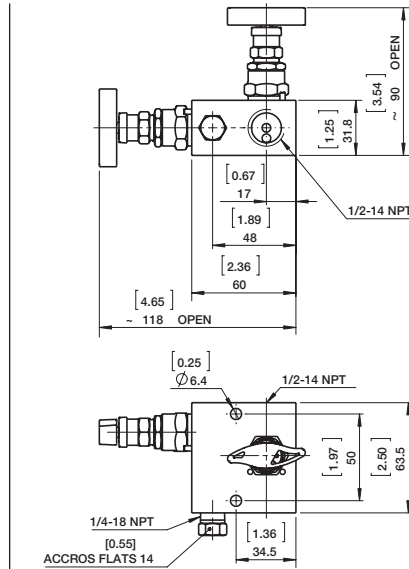
Gauge Valve – V02 Series Block and Bleed Manifold

DIMENSIONS (DIMENSIONS IN [] ARE DECIMAL INCHES)

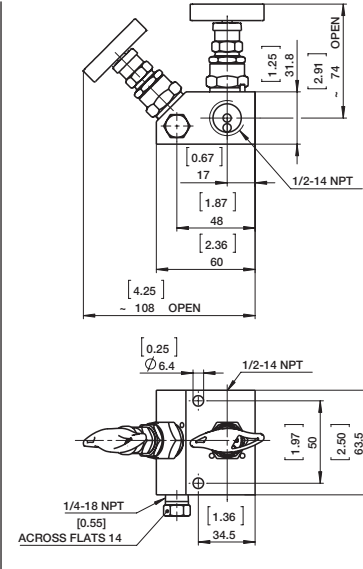
Drawings are for reference only, consult Ashcroft for specific dimensional drawings.



Style A (In-line)



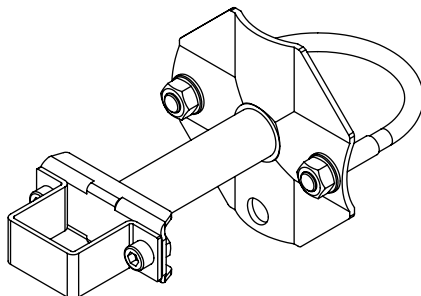
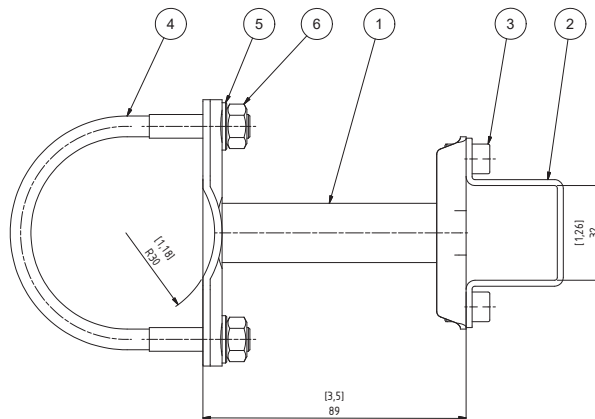
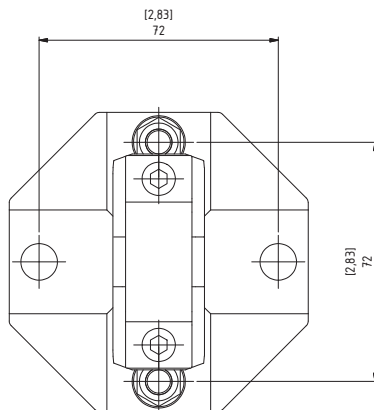
Style B (L-shape)



Style C (Y-shape)

OPTION TM - 2" PIPE MOUNTING BRACKET (DIMENSIONS IN [] ARE DECIMAL INCHES)

Drawings are for reference only, consult Ashcroft for specific dimensional drawings.



Pos.	Description	Material
1	Mounting bracket	316Ti SS
2	Bracket	316Ti SS
3	Socket head cap screw ISO 4762 -M6x10	316 SS
4	U-bolt M8 for 2" pipe	316 SS
5	Washer 8,4 DIN 128-B	316 SS
6	Hexagon nut DIN EN 24032-M8	A4