

PL02 - Pressure Limiting Valve

FEATURES

- Protects instrument assembly from over pressure and severe pressure spikes
- Prevents damage, loss of accuracy and or rupture of sensing elements
- 316Ti Stainless steel construction

TYPICAL USES

- Oil & Gas Industry
 - Upstream: Onshore/offshore production
 - Midstream: Transport, storage and natural gas compression
 - Downstream: Refineries and petrochemical industries
- Chemical Industry
- Power Plants
 - Conventional power plants
 - Flue gas desulfurization plants
- Other Industries
 - Waste incineration plants
 - Seawater desalination plants
 - Steel mills
 - Cement plants



PL02
Pressure Limiting Valve

SPECIFICATIONS

Process Connection:	¼ NPT Male, ½ NPT Male
Instrument Connection:	¼ NPT Female, ½ NPT Female
Construction:	316Ti Stainless steel
Maximum Pressure Rating:	14,500 psi
Maximum Temperature Rating FKM (FPM by ISO):	175 °F (80 °C)

WETTED COMPONENTS

Parts	Material
Body & Valve Stem, Screw plug	316L Stainless steel
Needle Tip	316Ti Stainless steel
Piston seal	FKM (equivalent to FPM by ISO) up to 175 °F (80 °C)
Gland nut	304 Stainless steel

KEY BENEFITS

- Isolates instrument assembly from process when set pressure is realized
- Automatically resets after 25% drop in pressure from setpoint
- Available setpoints from 6 psi to 8,700 psi
- Built in pressure snubbing design

PL02 - Pressure Limiting Valve

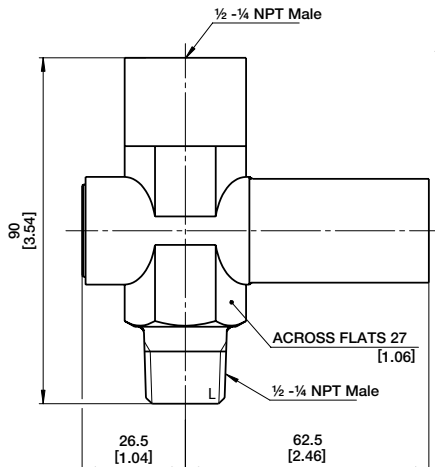
ORDERING CODE	Example:	04	PL02	A	ST	50	0010#	-XC3
Process Connection								
04 - ½ NPT Male		04						
02 - ¼ NPT Male								
Series Code								
PL02 - Valve			PL02					
Style (setpoint)								
		psi	bar/kg/cm ²					
A - Style A		6-36	0.4-2.5	A				
B - Style B		30-85	2-6					
C - Style C		75-360	5-25					
D - Style D		300-850	20-60					
E - Style E		750-3,600	50-250					
F - Style F		3,500-5,800	240-400					
G - Style G (available in ¼" only)		5,800-8,700	400-600					
Material								
ST - 316Ti Stainless steel					ST			
Instrument Connection								
50 - ½ NPT Female						50		
25 - ¼ NPT Female								
Factory Set Range (4-digit) *other ranges available on request								
0000 - No set range specified (will be set mid-range for style selected)								
0010# - 10 psi*							0010#	
0002BR - 2 bar								
0010KG - 10 kilogram								
Options (If choosing option(s) must include an "X") (Options below not available when no set range is specified)								
HY - Hydrostatic testing -X _ _								
NH - Stainless steel tags								
C3 - Material traceability report C3								
E9 - Assembly: Instrument, Pressure limiting valve, siphon ⁽¹⁾⁽²⁾								
F7 - Assembly: Instrument, Pressure limiting valve, Diaphragm seal or isolation ring ⁽¹⁾								
F9 - Assembly: Instrument, Capillary, Pressure limiting valve, Snubber, Diaphragm seal or isolation ring ⁽¹⁾								
K2 - Assembly: Instrument, Capillary, Pressure limiting valve, Diaphragm seal or isolation ring ⁽¹⁾								
L2 - Assembly: Instrument, Pressure limiting valve, Diaphragm seal or isolation ring ⁽¹⁾								
5G - Assembly: Instrument, Pressure limiting valve ⁽¹⁾								
6B - Cleaned for oxygen service								

(1) - Assemblies are configured in order as listed. Consult factory for details on configuration and for other assembly options.

All components in assembly must be purchased as separate items.

(2) - Coil and pig tail siphons will only be hand tightened onto the assembly for filling purposes.

DIMENSIONS in [] are decimal inches



For reference only, consult Ashcroft for specific dimensional drawings