

## PL02 - Pressure Limiting Valve

### FEATURES

- Protects instrument assembly from over pressure and severe pressure spikes
- Prevents damage, loss of accuracy and or rupture of sensing elements
- 316Ti Stainless steel construction

### TYPICAL USES

- Oil & Gas Industry
  - Upstream: Onshore/offshore production
  - Midstream: Transport, storage and natural gas compression
  - Downstream: Refineries and petrochemical industries
- Chemical Industry
- Power Plants
  - Conventional power plants
  - Flue gas desulfurization plants
- Other Industries
  - Waste incineration plants
  - Seawater desalination plants
  - Steel mills
  - Cement plants



**PL02**  
Pressure Limiting Valve

### SPECIFICATIONS

|   |                            |
|---|----------------------------|
| Process Connection:                             | ¼ NPT Male, ½ NPT Male     |
| Instrument Connection:                          | ¼ NPT Female, ½ NPT Female |
| Construction:                                   | 316Ti Stainless steel      |
| Maximum Pressure Rating:                        | 14,500 psi                 |
| Maximum Temperature Rating<br>FKM (FPM by ISO): | 175 °F (80 °C)             |
| Minimum Temperature Rating                      | 14 °F (-10 °C)             |

### WETTED COMPONENTS

| Parts                         | Material   |
|-------------------------------|--|
| Body & Valve Stem, Screw plug | 316L Stainless steel   |
| Needle Tip                    | 316Ti Stainless steel  |
| Piston seal                   | FKM (equivalent to FPM by ISO) up to 175 °F (80 °C), others on request |
| Gland nut                     | 304 Stainless steel  |

### KEY BENEFITS

- Isolates instrument assembly from process when set pressure is realized
- Automatically resets after 25% drop in pressure from setpoint
- Available setpoints from 6 psi to 8,700 psi
- Built in pressure snubbing design

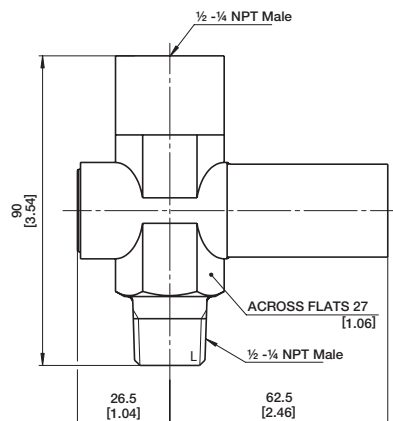
# Data Sheet

## PL02 - Pressure Limiting Valve

|   |                 |             |                        |          |           |           |              |             |
|---|-----------------|-------------|------------------------|----------|-----------|-----------|--------------|-------------|
| <b>ORDERING CODE</b>  | <b>Example:</b> | <b>04</b>   | <b>PL02</b>            | <b>A</b> | <b>ST</b> | <b>50</b> | <b>0010#</b> | <b>-XC3</b> |
| <b>Process Connection</b>   |                 |             |                        |          |           |           |              |             |
| 04 - 1/2 NPT Male   |                 | 04          |                        |          |           |           |              |             |
| 02 - 1/4 NPT Male   |                 |             |                        |          |           |           |              |             |
| <b>Series Code</b>  |                 |             |                        |          |           |           |              |             |
| PL02 - Valve  |                 |             | PL02                   |          |           |           |              |             |
| <b>Style (setpoint)</b>   |                 |             |                        |          |           |           |              |             |
|   |                 | psi         | bar/kg/cm <sup>2</sup> |          |           |           |              |             |
| A - Style A   |                 | 6-36        | 0.4-2.5                | A        |           |           |              |             |
| B - Style B   |                 | 30-85       | 2-6                    |          |           |           |              |             |
| C - Style C   |                 | 75-360      | 5-25                   |          |           |           |              |             |
| D - Style D   |                 | 300-850     | 20-60                  |          |           |           |              |             |
| E - Style E   |                 | 750-3,600   | 50-250                 |          |           |           |              |             |
| F - Style F   |                 | 3,500-5,800 | 240-400                |          |           |           |              |             |
| G - Style G (available in 1/4" only)  |                 | 5,800-8,700 | 400-600                |          |           |           |              |             |
| <b>Material</b>   |                 |             |                        |          |           |           |              |             |
| ST - 316Ti Stainless steel  |                 |             |                        |          | ST        |           |              |             |
| <b>Instrument Connection</b>  |                 |             |                        |          |           |           |              |             |
| 50 - 1/2 NPT Female   |                 |             |                        |          |           | 50        |              |             |
| 25 - 1/4 NPT Female   |                 |             |                        |          |           |           |              |             |
| <b>Factory Set Range (4-digit) *other ranges available on request</b>   |                 |             |                        |          |           |           |              |             |
| 0000 - No set range specified (will be set mid-range for style selected)  |                 |             |                        |          |           |           |              |             |
| 0010# - 10 psi*   |                 |             |                        |          |           |           | 0010#        |             |
| 0002BR - 2 bar  |                 |             |                        |          |           |           |              |             |
| <b>Options (If choosing option(s) must include an "X") (Options below not available when no set range is specified)</b> |                 |             |                        |          |           |           |              |             |
| HY - Hydrostatic testing  |                 |             |                        |          |           |           |              | -X _ _      |
| NH - Stainless steel tags   |                 |             |                        |          |           |           |              |             |
| C3 - Material traceability report   |                 |             |                        |          |           |           |              | C3          |
| E9 - Assembly: Instrument, pressure limiting valve, siphon <sup>(1)(2)</sup>  |                 |             |                        |          |           |           |              |             |
| F7 - Assembly: Instrument, pressure limiting valve, diaphragm seal or isolation ring <sup>(1)</sup>                     |                 |             |                        |          |           |           |              |             |
| F9 - Assembly: Instrument, capillary, pressure limiting valve, snubber, diaphragm seal or isolation ring <sup>(1)</sup> |                 |             |                        |          |           |           |              |             |
| K2 - Assembly: Instrument, capillary, pressure limiting valve, diaphragm seal or isolation ring <sup>(1)</sup>          |                 |             |                        |          |           |           |              |             |
| L2 - Assembly: Instrument, pressure limiting valve, diaphragm seal or isolation ring <sup>(1)</sup>                     |                 |             |                        |          |           |           |              |             |
| 5G - Assembly: Instrument, pressure limiting valve <sup>(1)</sup>   |                 |             |                        |          |           |           |              |             |
| JG - Internal EPDM Seal   |                 |             |                        |          |           |           |              |             |
| JQ - Internal FFPM Seal   |                 |             |                        |          |           |           |              |             |
| 6B - Cleaned for oxygen service   |                 |             |                        |          |           |           |              |             |

(1) - Assemblies are configured in order as listed. Consult factory for details on configuration and for other assembly options. All components in assembly must be purchased as separate items.  
 (2) - Coil and pig tail siphons will only be hand tightened onto the assembly for filling purposes.

### DIMENSIONS in [ ] are decimal inches



For reference only, consult Ashcroft for specific dimensional drawings