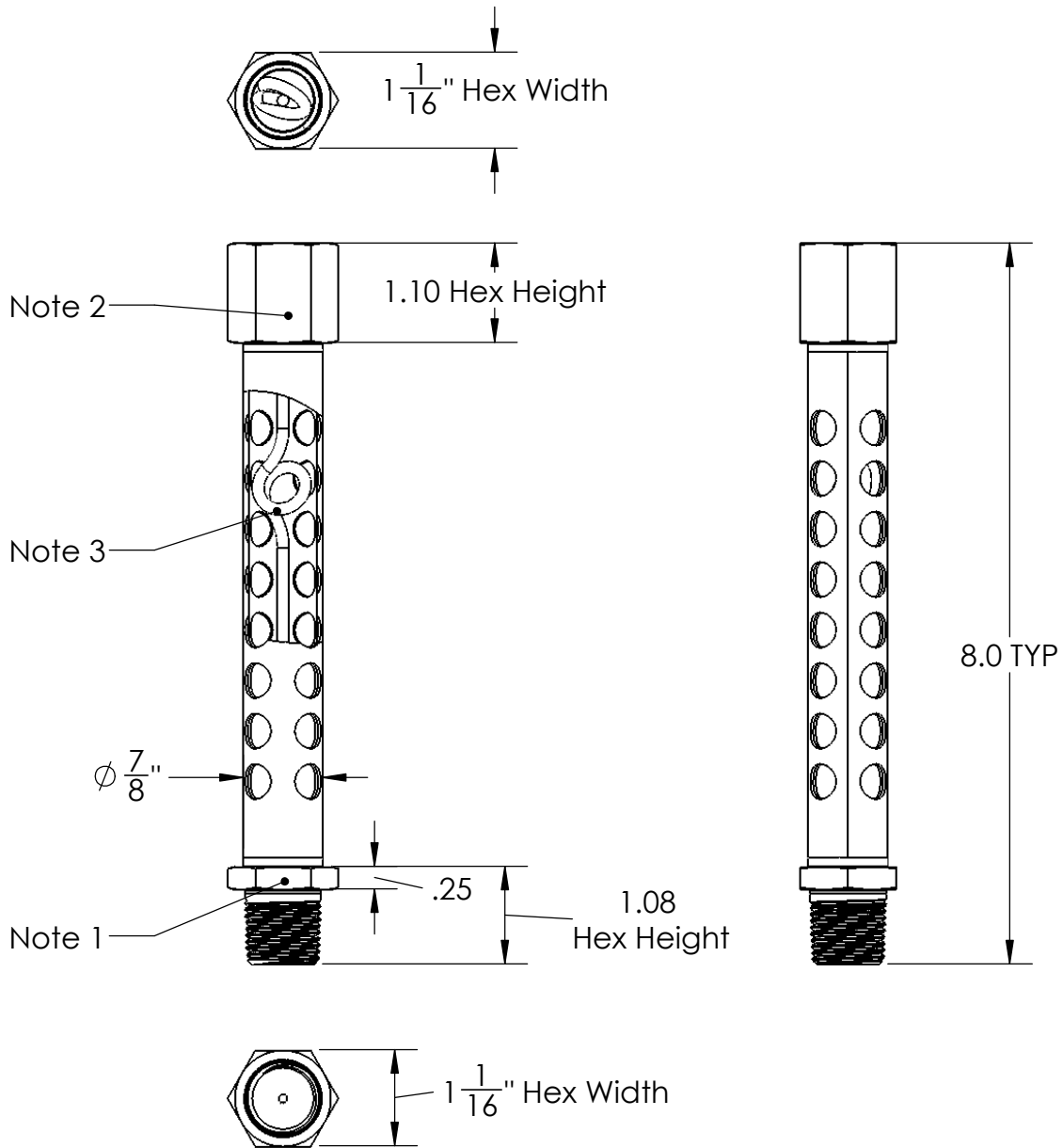


This drawing includes confidential information which is the property of ASHCROFT INC. This copy is loaned for a specific purpose, with the understanding that it will not be reproduced or used for any other purpose or disclosed to others, and it will be returned on demand.

**ASHCROFT**<sup>®</sup>

250 EAST MAIN STREET  
STRATFORD, CT 06614



**NOTES:**

- 1) Process Fitting is 1/2" NPT Male
- 2) Instrument Fitting is 1/2" NPT Female
- 3) Side closest to pressure tube loop is the "Instrument Side"

REV.	ECO	DESCRIPTION	BY	DATE
A	9802	INITIAL RELEASE	BEN WESLEY	3/1/2018

This print certified correct for		General Dimensions		
Customer's Name		1/2 NPT Male-to-Female		
		Product Code: 04 2198 XX 50		
		Series 2198 Capillary Siphon		
Customer's Order No.	Drawn	Date	Date of Issue	16-Jan-18
Ashcroft Order No.	Ben Wesley	16-Jan-18	SHEET-1	Rev.
Certified by	Date	<b>070A4299</b>		<b>A</b>