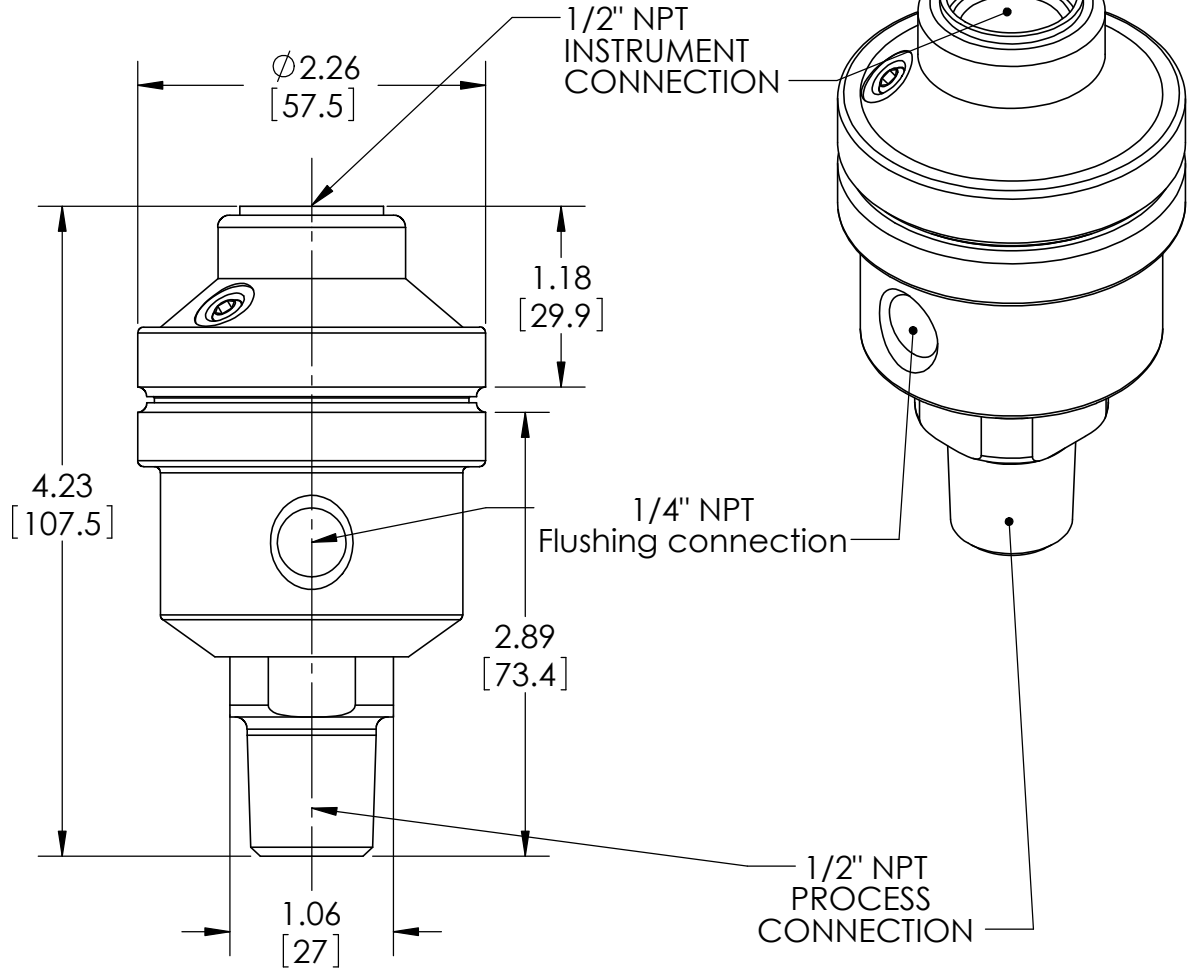
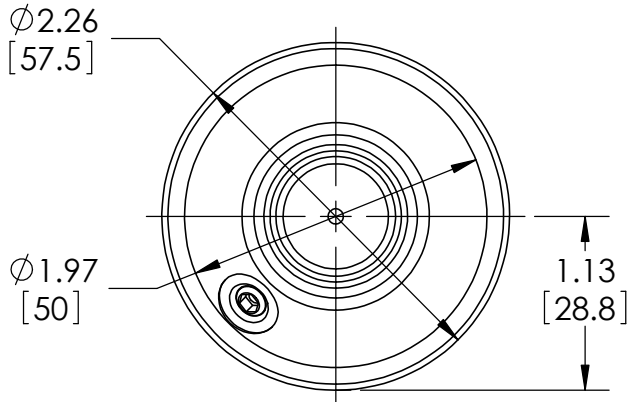




This drawing includes confidential information which is the property of ASHCROFT INC. This copy is loaned for a specific purpose, with the understanding that it will not be reproduced or used for any other purpose or disclosed to others, and it will be returned on demand.

ASHCROFT INC.

250 EAST MAIN STREET
STRATFORD, CT 06614



DIMENSIONS IN [] ARE MILLIMETERS

REV.	ECO	DESCRIPTION	BY	DATE
A	0005001	RELEASED GENERAL DIMS.	MJS	8/9/2010

This print certified correct for		General Dimensions			
Customer's Name		TYPE: 511 LOW PRESSURE			
		PROCESS CONN: 1/2" MALE - INSTRUMENT CONN: 1/2" NPT			
		ALL-WELDED CONSTRUCTION			
Customer's Order No.	Drawn MJS	Date 8/9/10	Date of Issue		
Ashcroft Order No.	Checked	Date	SHEET-1	Rev.	
Certified by	Date	Approved	Date	70A3398	A