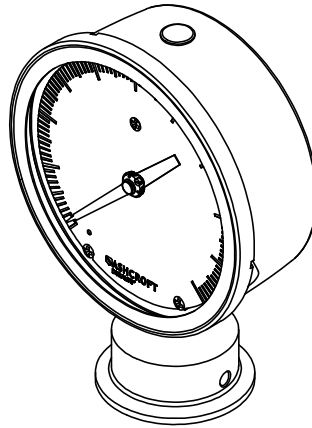
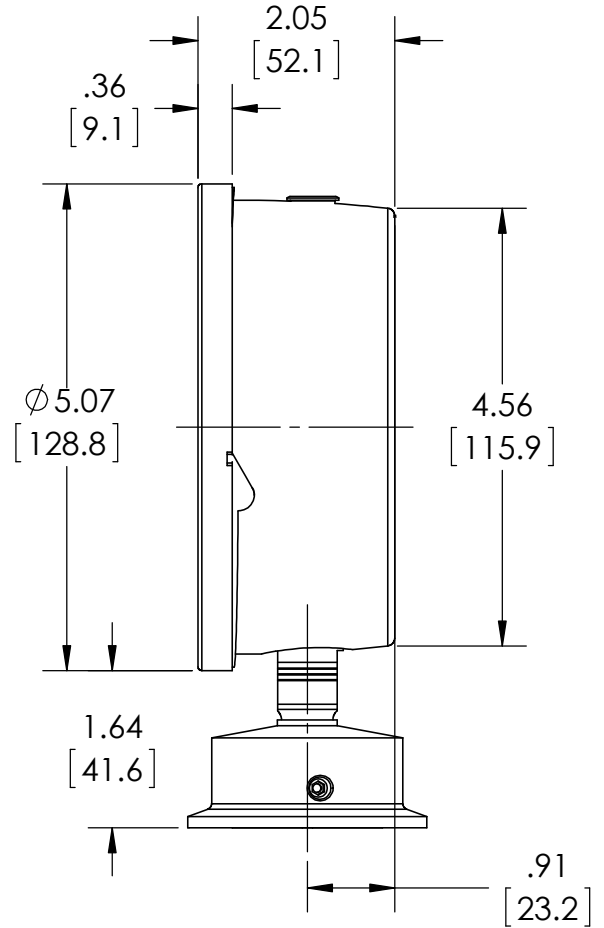
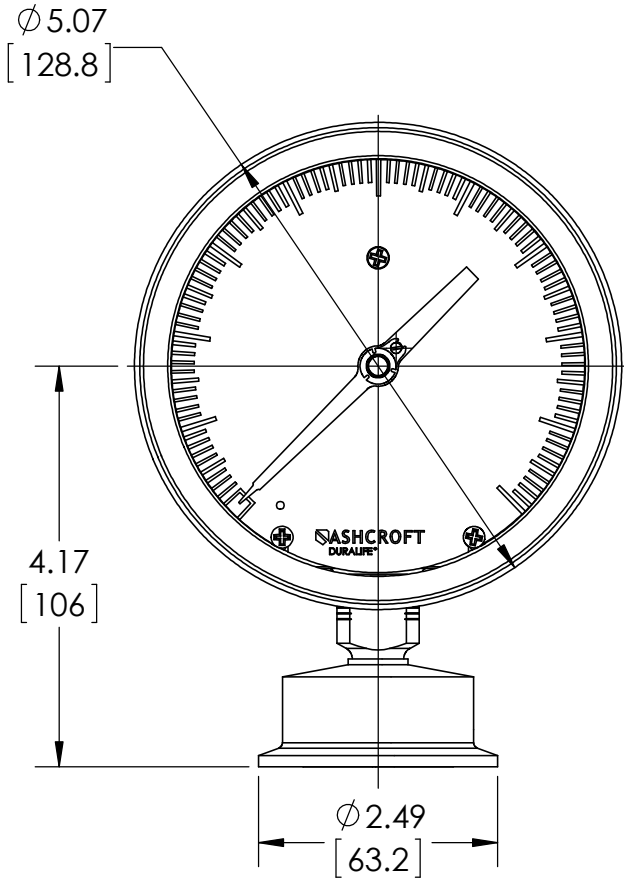




This drawing includes confidential information which is the property of ASHCROFT INC. This copy is loaned for a specific purpose, with the understanding that it will not be reproduced or used for any other purpose or disclosed to others, and it will be returned on demand.

**ASHCROFT**® INC.

250 EAST MAIN STREET  
STRATFORD, CT 06614



DIMENSIONS IN [ ] ARE MILLIMETERS

| REV. | ECO     | DESCRIPTION            | BY  | DATE      |
|------|---------|------------------------|-----|-----------|
| A    | 0004508 | RELEASED GENERAL DIMS. | MJS | 6/13/2011 |

|                                  |           |                             |               |                |
|----------------------------------|-----------|-----------------------------|---------------|----------------|
| This print certified correct for |           | <b>General Dimensions</b>   |               |                |
| Customer's Name                  |           | ASHCROFT 45 1032 20L SERIES |               |                |
|                                  |           | SANITARY GAUGE              |               |                |
| Customer's Order No.             | Drawn MJS | Date 6/13/11                | Date of Issue |                |
| Ashcroft Order No.               | Checked   | Date                        | SHEET-1       | Rev.           |
| Certified by                     | Date      | Approved                    | Date          | <b>70A3494</b> |
|                                  |           |                             |               | <b>A</b>       |