

Data Sheet

1007P and 1001T XOR Refrigeration Pressure Gauges

FEATURES

- PowerFlex™ movement provides superior resistance to shock, vibration and pulsation
- FlutterGuard™ (STD.) reduce movement wear and pointer flutter
- Easy access window for minor span adjustments
- 1007P ABS case offers durability and corrosion resistance
- 1001T gauges are tested to detect leaks as small as 2.8 X 10⁻⁴ cc per second

TYPICAL USES

- Refrigerant manifolds (1007P, XOR)
- Refrigerant recovery and recycling equipment (1001T, XOR)
- Automotive testing
- HVAC/R - industrial and residential air conditioning

SPECIFICATIONS

Accuracy:	±1% of span at zero, ±2% of span the first three fourths of scale, ±5% of span the last fourth of scale
Sizes:	1007P: 2½" 1001T: 2½", 3½"
Ranges:	30 in. Hg/0/120psi retard to 250psi 0/400psi 30 in. Hg/0/300psi retard to 500psi 0/800psi
Process Connection Location:	1007P: lower 1001T: back
Process Connection Size:	1007P: ½ NPT 1001T: ½ NPT, ¼ NPT
Dial:	Available refrigerant scales: R12, R22, R502, R134A, 410A
Pointer:	Black, aluminum
Movement:	Patented PowerFlex™ with polyester segment. Slotted span screw for minor span adjustments
Dampening:	FlutterGuard™
Restrictor:	1007P: 0.020" orifice restrictor 1001T: 0.013" orifice restrictor

WETTED COMPONENTS

Bourdon Tube	Process Connection	Restrictor
Bronze	Brass	Brass

NON-WETTED COMPONENTS

Model	Case	Window
1007P	Blue ABS (low pressure) Red ABS (high pressure)	Threaded polycarbonate
1001T	Black painted steel	¼ turn threaded polycarbonate



1007P XOR
2½" dial size

1001T XOR
2½", 3½" dial size

KEY BENEFITS

- Optional connections to eliminate potential leaks at threaded joints
- Rugged Durability
- Corrosion resistance
- Customized dials

MIN/MAX TEMPERATURE LIMITS

Version	Ambient	Process	Storage
1007P XOR	-40°F to 150°F (-40°C to 65°C)	-40°F to 150°F (-40°C to 65°C)	-40°F to 150°F (-40°C to 65°C)
1001T XOR	-40°F to 150°F (-40°C to 65°C)	-40°F to 150°F (-40°C to 65°C)	-40°F to 150°F (-40°C to 65°C)

Data Sheet

1007P and 1001T XOR Refrigeration Pressure Gauges

ORDERING CODE	Example:	25	1001T	H	01	B	XORUC	140#/V
Dial Size								
25 - 2½"		25						
Model								
1001T - Black steel case			1001T					
1007P - ABS case								
Process Connection Material								
H - Brass				H				
Process Connection Size								
01 - ⅛ NPT Male					01			
02 - ¼ NPT Male, (N/A 1007P)								
EX - 37° Flare (1001T only)								
FP - 45° Flare (1001T only)								
Connection Location								
L - Lower connection, (1007P only)								
B - Back connection, (1001T only)						B		
Options (If choosing an option(s) must include an "X")							X _ _	
OR - Refrigeration application							OR	
UC - Must always be on 1001T								
RS - RoHS (EN directives 2011/65/EN and 2015/863)								
TC - Teflon® tape on socket (1007P only)								
ZO - Bulk pack								
ZP - Customer P/N on carton/plain white label								
ZQ - Customer P/N directly on carton								
Range (coding examples only see range table on page 2 for all standard ranges)								
Single Scales								
140#/V - 30"HG vac/0/120 psi retard to 250 psi								140#/V

RANGE TABLE

Range Description	Code	
	1007P	1001T
30 in. Hg/0/120psi retard to 250psi; R502/R22/R12	140#-6288	140#-6294
30 in. Hg/0/120psi retard to 250psi; R134A	140#-6289	140#-6295
0/400psi; R502/R22/R12	400#-6290	400#-6296
0/400psi; R134A	400#-6291	400#-6297
30 in. Hg/0/300psi retard to 500psi; R410A	300#-6292	300#-6298
0/800psi;R410A	600#-6293	600#-6299

Data Sheet

1007P and 1001T XOR Refrigeration Pressure Gauges

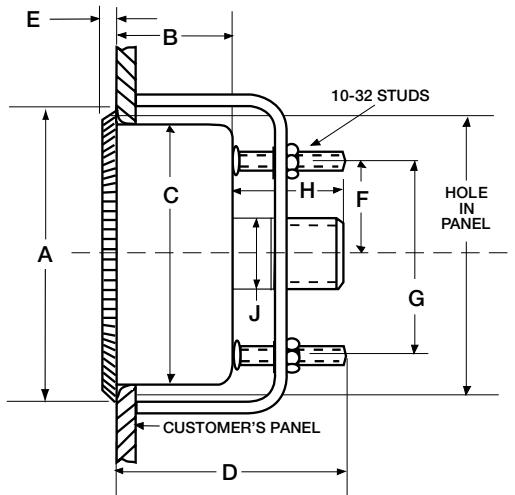
DIMENSIONS in [] are millimeters

For reference only, consult Ashcroft for specific dimensional drawings

1001T (UC)											
Dial Size Inches	A	B	C	D	E	F	G	H	J	Conn. NPT	Weight oz / kg
2½"	2.87 [73]	0.97 [25]	2.57 [65]	1.97 [50]	0.16 [4]	1.00 [25]	2.00 [51]	0.88 [22]	9/16 sq. [14]	1/8 or 1/4	6.91 oz 0.196 kg
3½"	3.96 [101]	1.00 [25]	3.61 [92]	1.72 [44]	0.20 [5]	1.53 [39]	3.06 [78]	0.88 [22]	9/16 sq [14]	1/8 or 1/4	8.40 oz 0.238 kg

Hole Diameter			
Panel Cut-out	Min. Inches (mm)	Max. Inches (mm)	Max. Panel Thickness (mm)
2½"	2.609 [66.3]	2.750 [69.9]	7/16 [11]
3½"	3.625 [92.1]	3.812 [96.8]	7/16 [11]

Model 1001TH U-Clamp (UC)



Data Sheet

1007P and 1001T XOR Refrigeration Pressure Gauges

DIMENSIONS in [] are millimeters

For reference only, consult Ashcroft for specific dimensional drawings

Case 1007P

Dial Size Inches	A	B	C	D	E	F	G	Weight oz / kg
2½"	2.86 [72.5]	1.14 [29]	2.6 [65.9]	0.9 [23]	0.39 [9.9]	9/16 sq. [14]	2.18 [55.3]	3.39 oz 0.096 kg

Model - 1007P

