

## Data Sheet

# 1279 Duragauge® Pressure Gauge

### FEATURES

- Custom dial printing options
- Micrometer adjustable pointer
- **PLUS!**™ Performance option dampens vibration, shock and pulsation effects
- Pressure range from vacuum to 30,000 psi
- NSF-61 Compliant

### TYPICAL USES

- Refineries
- Chemical and petrochemical plants
- Offshore oil rigs
- Water and wastewater pressure control
- Pulp and water
- Mining and metals
- Equipment skids
- Specialized OEM equipment
- Cryogenics



Certified to  
NSF/ANSI CAN 61



**1279**  
4 1/2" dial size

### SPECIFICATIONS

Accuracy:	±0.5% of span (ASME B40.100 Grade 2A)		
Size:	4 1/2"		
Range:	Vacuum, compound to 30,000 psi		
Process Connection Location:	Lower, back, side, top		
Process Connection:	1/4 NPT, 1/2 NPT, 9/16 -18 UNF-2B Aminco® (high pressure connection)		
Case Style:	Solid front with pressure relief back		
Window:	Glass (STD.), acrylic, shatter proof glass, non-glare glass (OPT.)		
Movement:	Rotary, adjustable, 400 SS, Teflon™ coated		
Movement Materials:	400 SS, Teflon™ coated pinion gear and segment		
Dial:	Aluminum, white background, black scale		
Pointer:	Micrometer, adjustable, aluminum		
Weather Protection:	Case	IP Rating	Ordering Code
	Dry	Case not sealed, recommended for weather protected environment only	S
	Dry, field fillable	IP66	SH
	Liquid filled	IP66	SL
Dampening Options:	Liquid: glycerin, silicone, Halocarbon®, <b>PLUS!</b> ™ Performance		
Mounting:	Stem, surface, flush (STD.), pipe, remote (OPT.)		
Approvals:	CE/UKCA, CRN, NSF-61		

### WETTED COMPONENTS

Bourdon Tube	Process Connection	Joints
316L Stainless steel	316L Stainless steel	Welded
316L Stainless steel	Steel	Welded
K-Monel® 500	Monel® 400, Steel	Welded
C510 Ph. Bronze	Brass	Silver Brazed

### KEY BENEFITS

- Available with a wide variety of accessory and diaphragm seal assemblies
- Available with high process temperature dissipation siphons

### MIN/MAX TEMPERATURE LIMITS

Version	Ambient	Process	Storage
Dry	-20 °F to 200 °F (-29 °C to 93 °C)	-20 °F to 250 °F (-29 °C to 121 °C)	-40 °F to 250 °F (-40 °C to 121 °C)
<b>PLUS!</b> ™	-40 °F to 150 °F (-40 °C to 66 °C)	-40 °F to 200 °F (-40 °C to 93 °C)	-40 °F to 150 °F (-40 °C to 66 °C)
Glycerin fill	20 °F to 150 °F (-7 °C to 66 °C)	20 °F to 150 °F (-7 °C to 66 °C)	0 °F to 150 °F (-18 °C to 66 °C)
Silicone fill	-40 °F to 150 °F (-40 °C to 66 °C)	-40 °F to 200 °F (-40 °C to 93 °C)	-40 °F to 150 °F (-40 °C to 66 °C)
Halocarbon® fill	-40 °F to 150 °F (-40 °C to 66 °C)	-40 °F to 200 °F (-40 °C to 93 °C)	-40 °F to 150 °F (-40 °C to 66 °C)

### NON-WETTED COMPONENTS

Case	Ring	Pressure Relief Back
Phenolic	Threaded, Polycarbonate (meets UL 94 V-0)	Polycarbonate (Meets UL 94 V-0)

Note: Other than discoloration of the dial and hardening of the gasketing that may occur as ambient or process temperatures exceeds 150 °F, non-liquid-filled gauges with standard glass windows, can withstand continuous operating temperatures up to 250 °F (121 °C). Liquid-filled gauges can withstand 200 °F (93 °C) but glycerin fill and acrylic window will tend to yellow. Accuracy at temperatures above or below the reference ambient temperature of 68 °F (20 °C) will be affected by approximately .4% per 25 °F. Gauges with welded joints will withstand 750 °F (400 °C), 450 °F (232 °C) with silver brazed joints for short times without rupture, although other parts of the gauge will be destroyed and calibration will be lost. For continuous use and for process or ambient temperatures above 250 °F (121 °C), a diaphragm seal or capillary or siphon is recommended.

# Data Sheet

## 1279 Duragauge® Pressure Gauge

ORDERING CODE	Example:	451279	S	SH	04	L	XLL	15#
<b>Dial Size/Model Code</b>								
451279 - 4½" solid front		451279						
<b>System (tube and process connection)</b>								
A - Bronze tube, brass process connection, Max. pressure connection 1,000 psi								
P - K-Monel® 500 tube, Monel® 400 process connection, Max. pressure 30,000 psi								
R - 316L SS tube, steel process connection, Max. pressure 20,000 psi								
S - 316 SS tube, 316L SS process connection, Max. pressure 20,000 psi (NSF-61 Compliant)								
<b>Case Design</b>								
S - Solid front case, dry								
SH - Solid front case, dry (IP66 NEMA 4X)								
SL - Solid front case, liquid filled (glycerin STD.)								
<b>Process Connection Sizes</b>								
02 - ¼ NPT Male, N/A for ranges over 20,000 psi								
04 - ½ NPT Male, N/A for ranges over 20,000 psi								
09 - 9/16 18 UNF-2B, Aminco® high pressure fitting, pressures over 20,000 psi (STD.)								
AM - AND 10050-4 (¼ tubing connection)								
RW - SAE 7/16 & 20 Straight thread								
<b>Process Connection Location</b>								
L - Lower								
B - Back								
D - Side (3 o'clock)								
E - Side connection (9 o'clock)								
T - Top connection								
<b>Options (If choosing an option(s) must include a "X") (See Table 1 on page 3 for more options)</b>								
GV - Silicone case fill								
GX - Halocarbon® case fill								
LL - <b>PLUS!</b> ™ Performance								
ND - PLUS! Performance, silicone free (glycerin and silicone filled gauges)								
NZ - <b>PLUS!</b> ™ Performance, silicone free dry gauges								
X1P - IP65 dry case (case cannot be liquid filled)								
NH - SS tag wired to case								
PD - Acrylic window (STD. with liquid filled or hermetically sealed cases)								
SG - Safety Glass								
C4 - <a href="#">Traceable calibration certificate</a>								
6B - Cleaned for oxygen service								
5G - Attach one accessory to gauge. Applicable to PL02 pressure limiting valve, V01,V02,V03 valves, 1098, 1100, 1198, 2198 siphons, 7001, 7004 needle valves, 1115 capillary, 1106 pulsation dampner, 1112, PD02 pressure snubbers, MDV swivel adapter, 2265 electric warning contact								
<b>Range (coding examples only, see range table on page 3 for all standard ranges)</b>								
<b>Single Scales</b>								
15# - 15 psi								
1BR - 1 bar								
1KSC - 1 kg/cm²								
100KP - 100 kPa								
<b>Dual Scales</b>								
15#/BR - 15 psi inner scale, 1 bar outer scale								
1BR/# - 1 bar inner scale, 15 psi outer scale								

When selecting a diaphragm seal or isolation ring, refer to the [Min/Max Guide](#) for compatibility with this gauge or scan the QR code to the right.



# 1279 Duragauge® Pressure Gauge

TABLE 1

CODE	OPTION
AB	Gauges calibrated to compensate for absolute pressure
C3	Material Traceability Report per EN 10204 3.1 (S and P wetted parts only)
DA	Dial marking (text marking on the dial)
D3	DuraVis™ retroreflective dial
EP	Maximum pointer (adjustable, N/A with liquid filled or hermetically sealed cases)
HY	Hydrostatic/pneumatic testing. (System with ranges 15 -400 PSI pressurized to 150% of rated system pressure for 5 minutes. Ranges 600 PSI - 10,000 PSI pressurized to 130% system pressure for 5 minutes.)
MQ	Positive Material Identification
NG	Non-glare glass (N/A with liquid fill or hermetically sealed cases)
OS	Overload stop
SG	Safety glass
SH	Red set hand, stationary
TM	2" Pipe mounting bracket
TS	Throttle screw (STD. with liquid filled, hermetically sealed or <b>PLUS!</b> ™ Performance)
VS	Underload stop
56	Flush mounting ring

STANDARD PRESSURE RANGES					
	psi	bar	kPa	mPa	KG (kg/cm <sup>2</sup> )
Vacuum	30IMV	N1BR	N100KP	N1MP	N1KSC
	-	N1/0.6BR	N100/60KP	0.1/0.06MP	N1/0.6KSC
	V/15#	-	-	-	-
Compound	-	N1/1.5BR	N100/150KP	N0.1/0.15MP	N1/1.5KSC
	V/30#	-	-	-	-
	-	N1/3BR	N100/300KP	N0.1/0.3MP	N1/3KSC
	V/60#	-	-	-	-
	-	N1/5BR	N100/500KP	N0.1/0.5MP	N1/5KSC
	V/100#	-	-	-	-
	-	N1/9BR	N100/900KP	N0.1/0.9MP	N1/9KSC
	15#	1BR	100KP	0.1MP	1KSC
	20#	-	-	-	-
	-	1.6BR	160KP	0.16MP	1.6KSC
30#	-	-	-	-	
Positive Pressure	-	2.5BR	250KP	0.25MP	2.5KSC
	60#	4BR	400KP	0.4MP	4KSC
	-	6BR	600KP	0.6MP	6KSC
	100#	-	-	-	-
	120#	-	-	-	-
	-	10BR	1000KP	1MP	10KSC
	160#	-	-	-	-
	200#	-	-	-	-
	-	16BR	1600KP	1.6MP	16KSC
	300#	-	-	-	-
	-	25BR	2500KP	2.5MP	25KG
	400#	-	-	-	-
	500#	-	-	-	-
	600#	40BR	4000KP	4MP	40KSC
	800#	-	-	-	-
	-	60BR	6000KP	6MP	60KSC
	1000#	-	-	-	-
	1500#	100BR	10000KP	10MP	100KG
	2000#	-	-	-	-
	-	160BR	16000KP	16MP	160KSC
	3000#	-	-	-	-
	-	250BR	25000KP	25MP	250KSC
	4000#	-	-	-	-
	5000#	-	-	-	-
	6000#	400BR	40000KP	40MP	400KSC
	8000#	-	-	-	-
	-	600BR	60000KP	60MP	600KSC
	10000#	-	-	-	-
	15000#	1000BR	100000KP	100MP	1000KSC
	20000#	-	-	-	-
-	1600BR	-	160MP	1600KSC	
30000#	-	-	-	-	

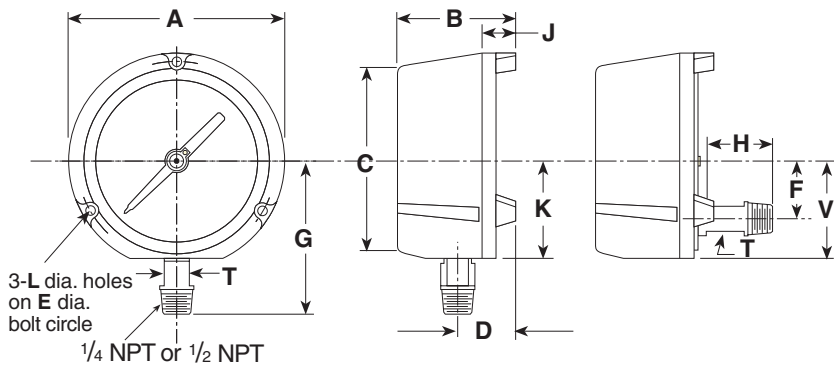
# Data Sheet

## 1279 Duragauge® Pressure Gauge

### DIMENSIONS in [ ] are millimeters

For reference only, consult Ashcroft for specific dimensional drawings

Dial Size Inches	A	B	C	D	E	F	G	H	J	K	L	T	V	Weight oz/kg
4 1/2	5.81 [147.6]	3.36 [85.3]	5.07 [128.7]	1.60 [40.6]	5.375 [137]	1.62 [41.2]	3.92 [99.6]	0.73 [18.4]	0.94 [23.9]	2.62 [66.7]	0.218 [5.5]	0.62 [15.7]	2.62 [66.7]	2.5 (Dry) 3.5 (L.F)



### 1278M Series Flush Mounting Ring

1278M Series Flush Mounting Ring. Used to flush mount gauge case 1279(\*S. Black finish (STD.); Polished SS finish (OPT.)

Gauge Size Inches	Ring O.D.	"A" DIA.	"B" Size of 3 Screws	"C" Size of Washers
4 1/2	6 [152]	5.625 [148]	#10-24 x 1 5/8	7/16 x 1 7/64 x 5/8

