

1008S 63 mm & 100 mm Stainless Steel Pressure Gauge

Features

- PowerFlex™ movement provides superior resistance to shock, vibration and pulsation
- **PLUS!**™ Performance patented dampening technology provides liquid fill performance in a dry gauge
- All welded stainless steel construction
- Ventable fill plug
- MSL Helium leak tested to 1x10⁻⁶ scc/s
- Ammonia and refrigerant versions available
- NSF-61 Compliant

Typical Uses

- Pumps and compressors
- Hydraulics and pneumatic
- Specialized OEM equipment
- Food and beverage
- Ammonia and refrigeration



1008S/SL
63, 100 mm dial size

Specifications

Accuracy:	Dry: ±1.6% of span Liquid: ±2% of span
Size:	63, 100 mm
Ranges:	Vacuum, compound to 15,000 psi
Process Connection Location:	Lower, Lower Back, Top, 3 o'clock, 9 o'clock
Process Connection Size:	1/8 NPT Male, 1/4 NPT Male
Movement:	304 Stainless steel
Window Material:	Polycarbonate
Dial:	Black figures on white background, aluminum
Pointer:	Black, aluminum
Weather Protection:	IP65 (Plug closed), IP54 (Plug vented) NEMA 4X (Plug closed)
Dampening:	Liquid fill and PLUS! ™ Performance
Mounting:	U-clamp, Back Flange and Front Flange
Approvals:	CRN, RoHS, PED, CE/UKCA, NSF-61

Wetted Components

Bourdon Tube	Process Connection Material
316 SS	316 Stainless steel

Non-Wetted Components

Case	Ring
304 SS	304 Stainless steel crimped



Certified to NSF/ANSI/CAN 61



Key Benefits

- Accessory kits for easy panel mounting
- True Zero™ reduces reading errors “zero box” instead of conventional dial pins

Min/Max Temperature Limits

Version	Ambient	Process	Storage
Dry	-40 °F to 200 °F (-40 °C to 93 °C)	-40 °F to 250 °F (-40 °C to 121 °C)	-40 °F to 250 °F (-40 °C to 121 °C)
PLUS! ™	-40 °F to 150 °F (-40 °C to 66 °C)	-40 °F to 200 °F (-40 °C to 93 °C)	-40 °F to 150 °F (-40 °C to 66 °C)
Glycerin Fill	20 °F to 150 °F (-7 °C to 66 °C)	20 °F to 200 °F (-7 °C to 66 °C)	0 °F to 150 °F (-18 °C to 66 °C)
Silicone Fill	-40 °F to 150 °F (-40 °C to 66 °C)	-40 °F to 200 °F (-40 °C to 93 °C)	-40 °F to 150 °F (-40 °C to 66 °C)
Halocarbon® Fill	-40 °F to 150 °F (-40 °C to 66 °C)	-40 °F to 200 °F (-40 °C to 93 °C)	-40 °F to 150 °F (-40 °C to 66 °C)

Contact Us

1.800.328.8258
ashcroft.com

All specifications are subject to change without notice. All sales subject to standard terms and conditions. Ashcroft®, **Plus!**™, PowerFlex™, True Zero™ and Trust the Shield® are trademarks of Ashcroft Inc. The following non-Ashcroft trademarks are the property of their respective owners: Halocarbon®.

For more information, see [Ashcroft Brands & Trademarks](#) ©2026 Ashcroft Inc. 1008S_SL_63-100mm_gauge_ds_RevH_31-March-26

1008S 63 mm & 100 mm Stainless Steel Pressure Gauge

Ordering Code	Example:	63	S	L	02	L	XC4	100#
Dial Size/Model Code								
631008 - 63 mm (2½") 304 Stainless steel case		63						
101008 - 100 mm (4") 304 Stainless steel case								
System								
S - 316 Stainless steel tube/316 stainless steel process connection			S					
Case Fill								
Blank - Dry liquid fillable								
L - Liquid filled case (glycerin standard)				L				
Process Connection Size								
01 - ¼ NPT Male								
02 - ¼ NPT Male					02			
04 - ½ NPT Male								
RW - SAE 4 7/16" - 20 straight thread with washer and O-ring								
KJ - ¼" Straight JIS, BSP								
KA - ¼" Tapered JIS, BSP								
13 - G ¼" DIN								
JP - ¼" Tubing								
JQ - 6 mm Tubing (N/A with throttle plug, N/A ranges above 6000 psi)								
JR - 3/8" Tubing (N/A with throttle plug, N/A on ranges above 6000 psi)								
Process Connection Location								
L - Lower						L		
B - Lower back								
D - Side (3 o'clock)								
E - Side (9 o'clock)								
T - Top								
Options (If choosing an option(s) must include an "X")								X__
Dampening								
GV - Silicone filling								
GX - Halocarbon® filling								
LL - PLUS! ™ Performance								
NZ - PLUS! ™ Performance silicone free								
TS - Helical Throttle Plug (over 1000#)								
TU - Throttle Plug (Push In/0.013 orifice) (Std. on all liquid fill gauges & ranges 30# and greater)								
WP - No Throttle Plug								
Mounting								
FF - Front flange								
FW - Back flange								
UC - U-clamp								
Case/Movement								
LJ - Liquid Fillable Dry Case (Throttle plug standard)								
SM - All stainless steel movement								
YW - 316L Stainless steel case and ring								

1008S 63 mm & 100 mm Stainless Steel Pressure Gauge

Ordering Code	Example:	63	S	L	02	L	XC4	100#
Marking/Tagging								
DA - Dial marking								
NH - Stainless steel tag								
NN - Paper tag								
Testing/Certificates								
6B - Cleaned for oxygen service - if liquid filled - GX (halocarbon) required. Not available on ranges above 10000#.								
MF - Free from mercury contamination								
6W - Cleaned for gases other than oxygen								
AN - 1% Accuracy - full scale (dry gauge only)								
C3 - Material certification, call factory for availability								
C4 - Individual Certified Calibration Chart								
HY - Hydrostatic Test- When attached to a diaphragm seal add HY code to gauge and seal product code								
MQ - Positive Material Identification (PMI)								
Special Dials								
AB - Absolute Pressure (Gauge is offset by 14.7 psi, contact inside sales for more information)								
Refrigerants - (Consult factory for available ranges)								
R1 - Refrigerant 11								
R2 - Refrigerant 12								
R3 - Refrigerant 22								
R4 - Refrigerant 502								
R5 - Ammonia- (Must have either Stainless Steel or Steel wetted parts)								
R6 - Refrigerant 114								
R7 - Refrigerant 500								
R8 - Refrigerant 134A								
R9 - Refrigerant 123								
Range (coding examples only, see range table on page 3 for all standard ranges)								
Single Scale								
15# - 15 psi								100#
1BR - 1 bar								
1KSC - 1 kg/cm ²								
100KP - 100 kPa								
Dual Scales								
15#/BR - 15 psi inner scale, 1 bar outer scale								
15BR/# - 1 bar inner scale, 15 psi outer scale								
Certification (miscellaneous charges not included within model code)								
CD-1 - Certificate of Conformance to Specifications and/or Drawing								CD-1
CD-1A - Non-Standard Certificate of Conformance to Specifications and/or Drawings								
CD-94 - GOST-R Certification								
D-6 - Typical Material Cert.								

1008S 63 mm & 100 mm Stainless Steel Pressure Gauge

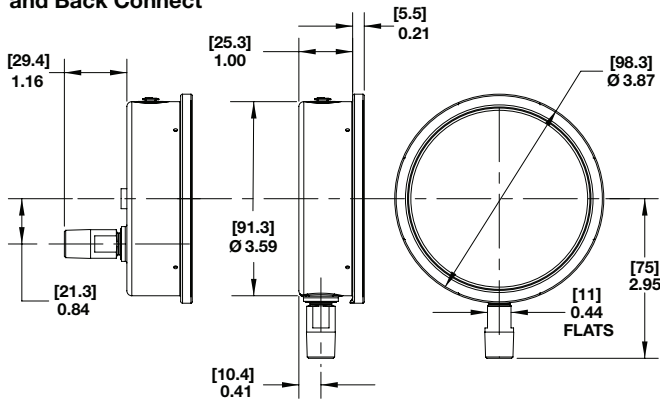
Single Scale					Notes
	psi	bar	kPa	Mpa	kg/cm2
Vacuum	30IMV	N1BR	N100KP	NO.1MP	N1KG
	-	N1/0.6BR	N100/60KP	NO.1/0.6MP	N1/0.6KG
Compound	30IMV&15#	-	-	-	-
	-	N1/1.5BR	N100/150KP	NO.1/15MP	N1/1.5KG
	30IMV&30#	-	-	-	-
	-	N1/3BR	N100/300KP	NO.1/3MP	N1/3KG
	30IMV&60#	-	-	-	-
	-	N1/5BR	N100/&500KP	NO.1/5MP	N1/5KG
	-	-	-	-	-
	30IMV&100#	-	-	-	-
	-	N1/9BR	N100/900KP	NO.1/9MP	N1/9KG
	15#	1BR	100KP	0.1MP	1KG
-	1.6BR	160KP	0.16MP	1.6KG	
30#	-	-	-	-	
-	2.5BR	250KP	0.25MP	2.5KG	
60#	4BR	400KP	0.4MP	4KG	
-	6BR	600KP	0.6MP	6KG	
100#	-	-	-	-	
-	10BR	1000KP	1MP	10KG	
160#	-	-	-	-	
200#	-	-	-	-	
-	16BR	1600KP	1.6MP	16KG	
300#	-	-	-	-	
-	25BR	2500KP	2.5MP	25KG	
400#	-	-	-	-	
600#	40BR	4000KP	4MP	40KG	
800#	-	-	-	-	
-	60BR	6000KP	6MP	60KG	
1000#	-	-	-	-	
1500#	100BR	10,000KP	10MP	100KG	
2000#	-	-	-	-	
-	160BR	16,000KP	16MP	160KG	
3000#	-	-	-	-	
-	250BR	25,000KP	25MP	250KG	
4000#	-	-	-	-	
5000#	-	-	-	-	
6000#	400BR	40,000KP	40MP	400KG	
-	600BR	60,000KP	60MP	600KG	
8000#	-	-	-	-	
10,000#	-	-	-	-	
15,000#	1000BR	100,000KP	100MP	1,000KG	

1008S 63 mm & 100 mm Stainless Steel Pressure Gauge

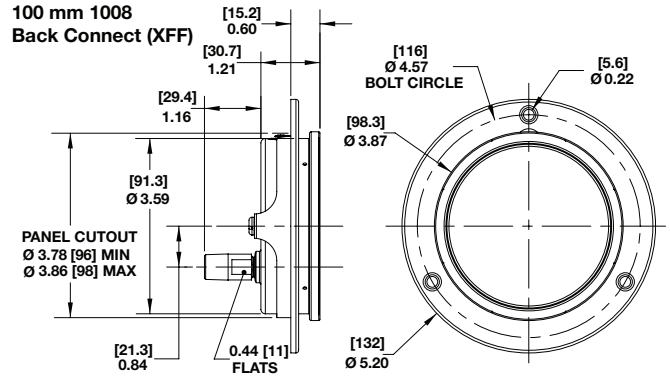
Dimensions in [] are millimeters

For reference only, consult Ashcroft for specific dimensional drawings

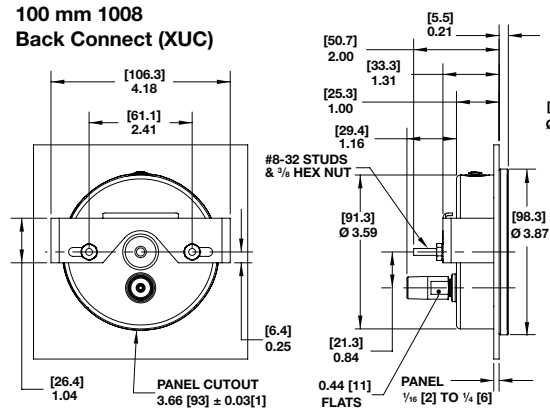
100 mm 1008 Lower and Back Connect



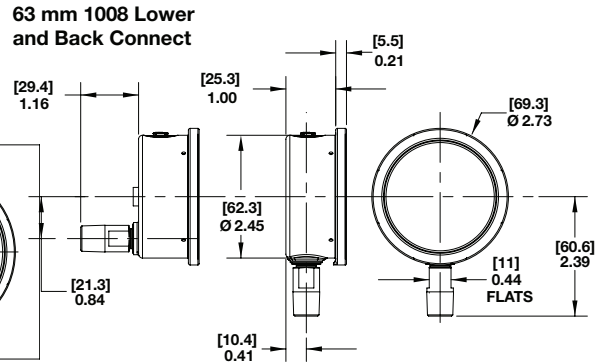
100 mm 1008 Back Connect (XFF)



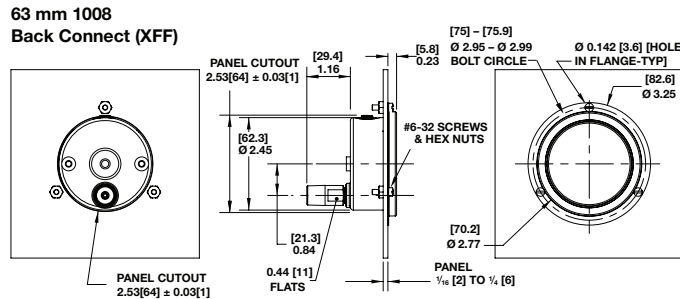
100 mm 1008 Back Connect (XUC)



63 mm 1008 Lower and Back Connect



63 mm 1008 Back Connect (XFF)



63 mm 1008 Back Connect (XUC)

