

1009 4½" & 6" Stainless Steel Gauge

Features

- **PLUS!**™ Performance (option) dampens vibration, shock and pulsation effects; provides liquid-fill performance in a dry gauge
- Wide selection of pressure connections and pressures ranges
- Dry and liquid-filled versions
- Micrometer adjustable pointer

Typical Uses

- Deionized water
- Refrigeration
- Hydraulics and pneumatics
- Specialized OEM equipment



1009
4½", 6" dial size

Specifications

Accuracy:	±1% of span (ASME B40.100 Grade 1A) 0.5% Accuracy (OPT)
Size:	4½", 6"
Ranges:	A - Bronze: Vacuum, compound to 1,000 psi S - SS: Vacuum, compound to 20,000 psi P - Monel®: Vacuum, compound to 30,000 psi
Process Connection Location:	Lower or lower back
Process Connection Size:	¼ NPT, ½ NPT, ⅜-18 UNF-2B for ¼" high pressure tubing
Movement:	400 Stainless steel
Window Material:	Glass (STD.), acrylic, shatter proof glass (OPT.)
Dial:	Aluminum, white background, black figures and graduations
Pointer:	Micrometer, adjustable
Case Style:	Open front
Weather Protection:	Case not sealed. Recommended for weather protected environment only Liquid fillable IP65
Dampening:	PLUS! ™ Performance and liquid fill (glycerin, silicone and Halocarbon®)
Mounting:	Stem, surface (STD.) U-clamp, front flange and back flange (OPT.)
Approvals:	CRN, RoHS, CE



Key Benefits

- Provides durability, reliability, and performance
- Well-suited for aggressive process media applications

MIN/MAX TEMPERATURE LIMITS

Version	Ambient	Process	Storage
Dry	-40 °F to 200 °F (-40 °C to 93 °C)	-20 °F to 250 °F (-40 °C to 121 °C)	-40 °F to 250 °F (-40 °C to 121 °C)
PLUS! ™	-40 °F to 150 °F (-40 °C to 66 °C)	-40 °F to 200 °F (-40 °C to 93 °C)	-40 °F to 150 °F (-40 °C to 66 °C)
Glycerin Fill	20 °F to 150 °F (-7 °C to 66 °C)	20 °F to 200 °F (-7 °C to 66 °C)	0 °F to 150 °F (-18 °C to 66 °C)
Silicone Fill	-40 °F to 150 °F (-40 °C to 66 °C)	-40 °F to 200 °F (-40 °C to 93 °C)	-40 °F to 150 °F (-40 °C to 66 °C)
Halocarbon® Fill	-40 °F to 150 °F (-40 °C to 66 °C)	-40 °F to 200 °F (-40 °C to 93 °C)	-40 °F to 150 °F (-40 °C to 66 °C)

NON-Wetted COMPONENTS

Model	Case	Ring
1009	304 Stainless steel, Monel®	304 Stainless steel, bayonet

Wetted COMPONENTS

Model	Bourdon Tube	Process Connection Material
1009A	Brass	Bronze
1009S	316L SS	316L Stainless steel
1009P	Monel®	Monel®

Contact Us

1.800.328.8258
ashcroft.com

All specifications are subject to change without notice. All sales subject to standard terms and conditions. Ashcroft®, DuraVis™, **Plus!**™ and Trust the Shield® are trademarks of Ashcroft Inc. These non-Ashcroft trademarks are the property of their respective owners: Monel®. Refer to [Ashcroft Brands & Trademarks](#) ©2026 Ashcroft Inc. 1009_45-60_gauge_ds_RevH_23-April-26

1009 4½" & 6" Stainless Steel Gauge

Ordering Code	Example:	45	1009	A	L	02	L	XC4	100#
Dial Size									
45 - 4½"		45							
60 - 6"									
Model Code									
1009 - 304 Stainless steel case, open front			1009						
System									
A - Phosphor bronze tube/brass process connection, (1,000 psi Max.)				A					
S - 316L Stainless steel tube/316L SS process connection, (20,000 psi Max.)									
P - K-Monel® 500 tube, Monel® 400 process connection, (30,000 psi Max.)									
Case Fill									
(blank) - Dry gauge									
L - Liquid filled case (glycerin standard)					L				
Process Connection Size									
02 - ¼ NPT Male, Max. pressure 20,000 psi						02			
04 - ½ NPT Male, Max. pressure 20,000 psi									
09 - ⅝"-18 UNF-2B Aminco® high pressure fitting, (standard for pressures over 20,000 psi)									
Process Connection Location									
L - Lower							L		
B - Back									
Options (If choosing an option(s) must include an "X")									X__
Dampening									
GV - Silicone Filling (add to list price of glycerin filled gauge) fill									
GX - Halocarbon® Filling (add to list price of glycerin filled gauge)									
LJ - Liquid Fillable Dry Case (with throttle plug)									
LL - PLUS! ™ Performance									
ND - Silicone Free Dampening (for liquid filled gauges)									
NZ - Plus Performance Silicone Free									
TS - Helical Throttle Plug									
Mounting									
BF - Wall mounting bracket (lower or back)									
FF - Front flange									
UC - U-clamp									
Bourdon Tube System Assemblies									
OS - Overload stop									
PR - Receiver gauge									
RJ - Slotted Link- SS (not available on liquid filled)									
SM - Stainless Steel Movement									
TR - Tons on RAM Gauge (includes throttle screw, slotted link, special dial)									
S4 - Sudden Decrease									

1009 4½" & 6" Stainless Steel Gauge

Ordering Code (Continued)	Example:	45	1009	A	L	02	L	XC4	100#
VS - Underload stop									
VY - Krytox™ Lubricated Movement									
Windows									
EO - Red Set Hand - Adjustable (not available on liquid filled)									
EP - Maximum Pointer (n/a on liquid filled gauges ; n/a with safety glass)									
EQ - Minimum Pointer (n/a on liquid filled gauges)									
PD- Plastic Window									
SG - Safety Glass									
SH - Red Set Hand - Stationary Single									
SJ - Red Set Hand - Stationary Double									
Marking/Tagging									
DM - Dial Marking									
MN - Bonded Stainless Tag									
NH - Stainless Steel Tag									
NN - Paper Tag									
Testing/Certificates									
C3 - Material Certificate per EN 10204 3.1 (316SS systems only, N/A for bronze. O/A for Monel)									
C4 - Traceable calibration certificate									C4
HY - Hydrostatic Test- When attached to a diaphragm seal add HY code to gauge and seal product code. (if attached to seal, charge will be on gauge only) includes overload stop									
KH - Any calibration other than standard									
MF - Mercury Free									
MQ - Positive Material Identification (PMI) (Only available with Stainless Steel & monel systems only on tube, tip, and socket)									
W2 - Dye Penetrant Test									
Special Cleaning									
6B - Cleaned for gaseous Oxygen service (For liquid filled halocarbon (GX) required, not available on brass/bronze systems or ranges greater than 10,000#)									
6W - Cleaned for gases other than oxygen									
Refrigerants									
R1 - Refrigerant 11									
R2 - Refrigerant 12									
R3 - Refrigerant 22									
R4 - Refrigerant 502									
R5 - Ammonia- (Must have either Stainless Steel or Steel wetted parts)									
R6 - Refrigerant 114									
R7 - Refrigerant 500									

1009 4½" & 6" Stainless Steel Gauge

Ordering Code (Continued)	Example:	45	1009	A	L	02	L	XC4	100#
R8 - Refrigerant 134A									
R9 - Refrigerant 123									
Special Dials									
AB - Absolute Pressure (Gauge is offset by 14.7 psi, contact inside sales for more information)									
AJ - 0.5% Accuracy (Replaces DX - micrometer pointer & white dial standard)									
DX - White dial, micrometer pointer std. order AJ variation									
PR - Receiver gauge									
D3 - DuraVis™ Retroreflective Dial									
Range									
Single Scales									
15# - 15 psi									
1BR - 1 bar									
1KSC - 1 kg/cm ²									
100KP - 100 kPa									
Dual Scales									
15#/BR - 15 psi inner scale, 1 bar outer scale									
15BR/# - 1 bar inner scale, 15 psi outer scale									
Certification (miscellaneous charges not included within model code)									
CD-1 - Certificate of Conformance to Specifications and/or Drawings									
CD-1A - Non-Standard Certificate of Conformance to Specifications and/or Drawings									
CD 4 - Traceable calibration chart in accordance to ASME B40.10									
CD-5 - Certificate of compliance for refineries to NACE MRO103-2010 and for Oil fields (production) to NACE MRO175/ ISO15156-2009. Gauge wetted parts must be 316 SS or Monel.									
CD-6 - Typical Material Cert.									
CD-25 - Recalibration chart (as received and as shipped accuracy) list/gauge									
CD-94 - EAC certification: lot charge per PO									

When selecting a diaphragm seal or isolation ring, refer to the [Min/Max Guide](#) for compatibility with this gauge or scan the QR code to the right.



1009 4½" & 6" Stainless Steel Gauge

Single Scale					Notes
	psi	bar	kPa	Mpa	kg/cm2
Vacuum	30IMV	N1BR	N100KP	NO.1MP	N1KG
	-	N1/0.6BR	N100/60KP	NO.1/0.6MP	N1/0.6KG
Compound	30IMV&15#	-	-	-	-
	-	N1/1.5BR	N100/150KP	NO.1/15MP	N1/1.5KG
	30IMV&30#	-	-	-	-
	-	N1/3BR	N100/300KP	NO.1/3MP	N1/3KG
	30IMV&60#	-	-	-	-
	-	N1/5BR	N100/&500KP	NO.1/5MP	N1/5KG
Positive Pressure	30IMV&100#	-	-	-	-
	-	N1/9BR	N100/900KP	NO.1/9MP	N1/9KG
	15#	1BR	100KP	0.1MP	1KG
	-	1.6BR	160KP	0.16MP	1.6KG
	30#	-	-	-	-
	-	2.5BR	250KP	0.25MP	2.5KG
	60#	4BR	400KP	0.4MP	4KG
	-	6BR	600KP	0.6MP	6KG
	100#	-	-	-	-
	-	10BR	1000KP	1MP	10KG
	160#	-	-	-	-
	200#	-	-	-	-
	-	16BR	1600KP	1.6MP	16KG
	300#	-	-	-	-
	-	25BR	2500KP	2.5MP	25KG
	400#	-	-	-	-
	600#	40BR	4000KP	4MP	40KG
	800#	-	-	-	-
	-	60BR	6000KP	6MP	60KG
	1000#	-	-	-	-
	1500#	100BR	10,000KP	10MP	100KG
	2000#	-	-	-	-
	-	160BR	16,000KP	16MP	160KG
	3000#	-	-	-	-
	-	250BR	25,000KP	25MP	250KG
	4000#	-	-	-	-
	5000#	-	-	-	-
	6000#	400BR	40,000KP	40MP	400KG
-	600BR	60,000KP	60MP	600KG	
8000#	-	-	-	-	
10,000#	-	-	-	-	
15,000#	1000BR	100,000KP	100MP	1,000KG	
20,000#	Stainless steel systems only				
30,000#	Monel® systems only				

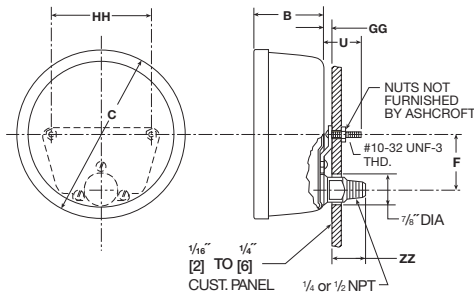
1009 4½" & 6" Stainless Steel Gauge

Dimensions in [] are millimeters

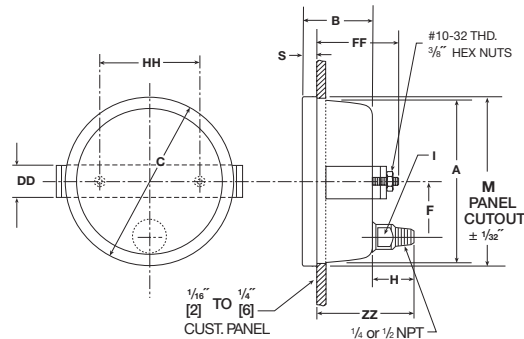
For reference only, consult Ashcroft for specific dimensional drawings

Gauge Size	A	B	C	C-1	D	DD	E	F	FF	G	GG	H	HH	I	J	L	M	S	U	ZZ	Weight	
																					Dry	LF
4½"	4.72	2.06	5.09	6.25	.94	1	5.69	1.63	2.31	3.94	.19	1.63	3	.63	.16	.22	4.81	.47	1.44	3.28	1.75#	2.40#
[114.3]	[120]	[52]	[129]	[159]	[24]	[25]	[144]	[41]	[59]	[100]	[5]	[41]	[76]	[16]	[4]	[6]	[122]	[12]	[37]	[83]	0.79 kg	1.1 kg
6"	6.31	2	6.66	7.22	.84	1	7.03	1.63	2.63	4.81	.19	1.63	4.5	.63	.06	.25	6.44	.41	1.44	.63	2.25#	4.12#
[152.4]	[160]	[51]	[169]	[194]	[22]	[25]	[179]	[41]	[67]	[122]	[5]	[41]	[144]	[16]	[2]	[7]	[163]	[10]	[37]	[81]	1 kg	1.85 kg

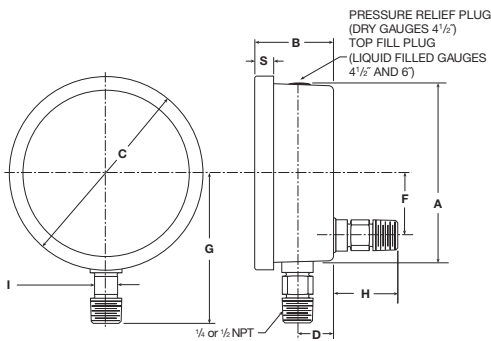
4½" & 6" 1009 BACK CONNECT, WALL MOUNTING BRACKET (XBF)



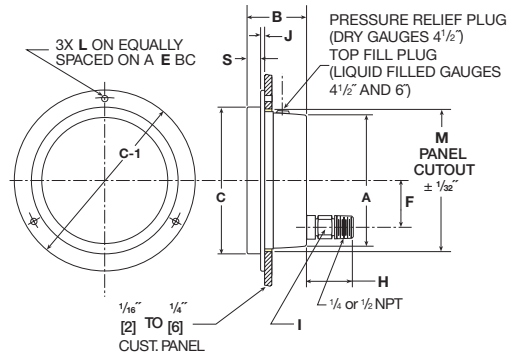
4½" & 6" 1009 BACK CONNECT U-CLAMP (XUC)



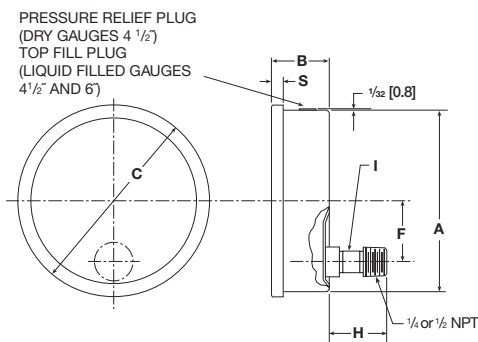
4½" & 6" 1009 LOWER OR BACK CONNECT



4½" & 6" 1009 BACK CONNECT FRONT FLANGE (XFF)



6" 1009 BACK CONNECT



6" 1009 LOWER CONNECT

