

GC35 Pressure Transducer

Features

- All stainless steel wetted materials
- Simple “push-button” configurability allows user to adjust switch settings and analog scaling
- Rugged aluminum housing
- Switch options available
- Scalable analog output
- Easy to read display
- GloBand™ display provides 360° visibility

Typical Uses

- Hydraulic presses
- Stamping equipment
- Water/wastewater pressure control
- Refrigerant/ammonia based cooling systems
- Pressure monitoring for lifts, vulcanizers and lubrication systems
- Alarm, control and pressure monitoring
- Cooling and lubricating systems



GC35
Pressure Transducer



Performance Specifications

| | |
|------------------------|--|
| Reference Temperature: | 74 °F (23 °C) |
| Analog Output: | 4-20 mA |
| Accuracy: | ±1.0% of span (URL) Includes the effects of linearity, hysteresis, repeatability, zero offset and span setting errors |
| Response Time: | 30 ms-10 sec (selectable) |
| Output Resolution: | ±0.05% of span |
| Analog Scaling: | User may configure analog output scaling to any range within -100% to 150% F.S. of the sensor range |

Pressure Switch Output:

| | |
|-------------------|---|
| Model: | NPN/PNP, open collector up to 80 mA |
| Setting Accuracy: | ±1.0% of span (URL) |
| Response Time: | 5 ms-10 sec (by user) |
| Hysteresis: | Variable deadband (by user) |
| Switch Setting: | User may adjust switch actuation and deadband to any points within F.S. sensor range |
| Switch Contacts: | User selectable NPN or PNP open collector outputs NPN Type: 30 Vdc / 80 mA (Max.) PNP Type: Supply Voltage 80 mA (Max.) Voltage Drop: 1 Vdc (Max.) |

Displays:

| | |
|----------------------|-------------------------------|
| Type: | 4 digit, 8 mm LED |
| Accuracy: | ±1.0% span (URL) + last digit |
| Display Update Rate: | 200 ms-10 sec (selectable) |

Key Benefits

- Compact footprint
- Field-proven thin film sensor
- High over-pressure capability

Display Setting: User may re-configure display scaling, set to capture MIN or MAX value and adjust display update rate user defined units of measure setting range from -1,999 to 9,999

Environmental Specifications

| | | |
|----------------------------------|---|-----------------------------------|
| Temperature Limits: | Storage: | -4 °F to 158 °F (-20 °C to 70 °C) |
| | Operating: | -4 °F to 158 °F (-20 °C to 70 °C) |
| | Compensated: | -4 °F to 158 °F (-20 °C to 70 °C) |
| Temperature Effects: (ref. 23°C) | Zero/Span: ±0.1% of span/°C | |
| Humidity: | 0-85% RH (Ranges 150 psi & below) 0-100% RH (Ranges 300 psi & above) | |

Functional Specifications

| | | |
|----------------------|--------------------|------------------|
| Overpressure: | Proof: | Burst: |
| ≤1,500 psi | 4 X Range (URL) | 10 X Range (URL) |
| >1,500 to ≤3,000 psi | 2.5 X Range (URL) | 5 X Range (URL) |
| ≤5,000 psi | 2.5 X Range (URL) | 3 X Range (URL) |
| Withstand Voltage: | 350 Vac, 1 minute | |
| Insulation Voltage: | 50 Vdc, 100 MV min | |

Contact Us

1 800-328-8258
ashcroft.com

All specifications are subject to change without notice. All sales subject to standard terms and conditions. Ashcroft®, Trust the Shield® are trademarks of Ashcroft Inc. These non-Ashcroft trademarks are the property of their respective owners: GloBand™, Monel®, 17-4PH®. For more information, see [Ashcroft Brands & Trademarks](#)
 ©2026 Ashcroft Inc. GC-35_transducer_ds_RevE_21-April-26

GC35 Pressure Transducer

| | |
|----------------|--|
| Stability: | ±0.25% of span/year |
| CE Compliance: | EN61326-1: 2006, EN61326-2-3: 2006 EU RoHS Compliance |

Electrical Specifications

Power Supply Requirements:

| | |
|-----------------|---|
| Supply Voltage: | 16-36 Vdc (with analog output option) 11-36 Vdc (switch output version only) |
|-----------------|---|

| | |
|----------------------|-----------------|
| Current Consumption: | 50 mA dc (Max.) |
|----------------------|-----------------|

Physical Specifications

| | |
|---------|-------------------|
| Weight: | Approx. 150 grams |
|---------|-------------------|

| | |
|----------------------|------------|
| Pressure Connection: | ¼ NPT Male |
|----------------------|------------|

| | |
|----------------------|-------------|
| Connection Location: | Lower, back |
|----------------------|-------------|

Wetted Material

| Diaphragm | Process Connection | Media Compatibility |
|----------------------------|---------------------|--|
| 17-4PH® Stainless steel | 316 Stainless steel | Fluids and gases compatible with 316 SS (sensor housing) and 17-4PH® SS (sensor diaphragm) |

Non-Wetted

| Housing | |
|------------------------|---|
| Nickel plated aluminum | |
| Environmental Rating: | IP65 (ranges 150 psi and below); IP67 (ranges 300 psi and above) |
| Electrical Connection: | M12 connector (4 pin) |

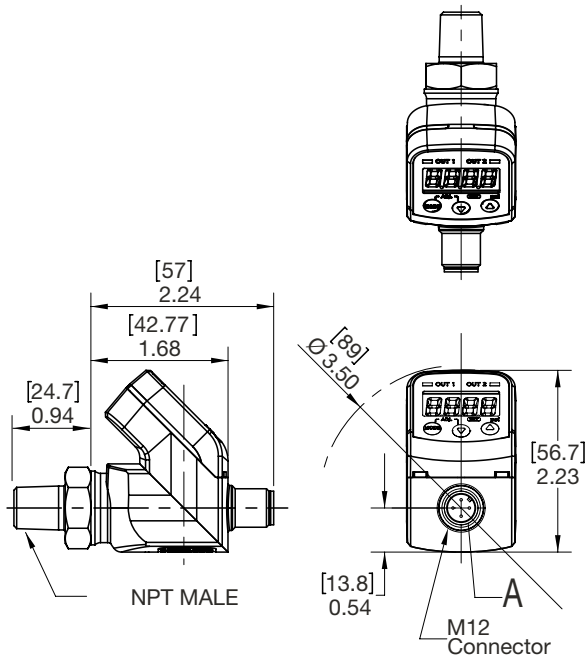
| Ordering Code | Example: | GC35 | 7 | M02L | 41 | EW | 50# | -XRH |
|--|----------|------|---|------|----|----|-----|------|
| Model | | | | | | | | |
| GC35 - Indicating pressure transmitter w/ switch output | | GC35 | | | | | | |
| Accuracy | | | | | | | | |
| 7 - ±1.0% | | | 7 | | | | | |
| Connection/Location Size | | | | | | | | |
| M02L - ¼ NPT Male w/ lower connect | | | | M02L | | | | |
| M02B - ¼ NPT Male w/ back connect | | | | | | | | |
| Output Signal | | | | | | | | |
| 41 - 4-20 mA & 1X switch | | | | | 41 | | | |
| N2 - 2X switch (no 4-20 mA) | | | | | | | | |
| Electrical Connection | | | | | | | | |
| EW - M12 Type (4 pin) | | | | | | EW | | |
| Ranges | | | | | | | | |
| 50#G - 0 - 50 psig | | | | | | | 50# | |
| 100#G - 0-100 psig | | | | | | | | |
| 150#G - 0-150 psig | | | | | | | | |
| 300#G - 0-300 psig | | | | | | | | |
| 500#G - 0-500 psig | | | | | | | | |
| 1000#G - 0-1,000 psig | | | | | | | | |
| 1500#G - 0-1,500 psig | | | | | | | | |
| 3000#G - 0-3,000 psig | | | | | | | | |
| 5000#G - 0-5,000 psig | | | | | | | | |
| 7000#G - 0-7,000 psig | | | | | | | | |
| 2000#G - 2,000 psi | | | | | | | | |
| 3000#G - 3,000 psi | | | | | | | | |
| 5000#G - 5,000 psi | | | | | | | | |
| 7500#G - 7,500 psi | | | | | | | | |
| Compound | | | | | | | | |
| 75#&V - Vac.-75 psig | | | | | | | | |
| 150#&V - Vac.-150 psig | | | | | | | | |
| 300#&V - Vac.-300 psig | | | | | | | | |
| Option (if including an option(s) must include an "X") | | | | | | | | X_ |
| C4 - Traceable 9 point calibration certificate (digital display) | | | | | | | | RH |
| RH - Traceable 9 point calibration certificate (analog output) | | | | | | | | |
| 6B - Cleaned for oxygen service | | | | | | | | |

GC35 Pressure Transducer

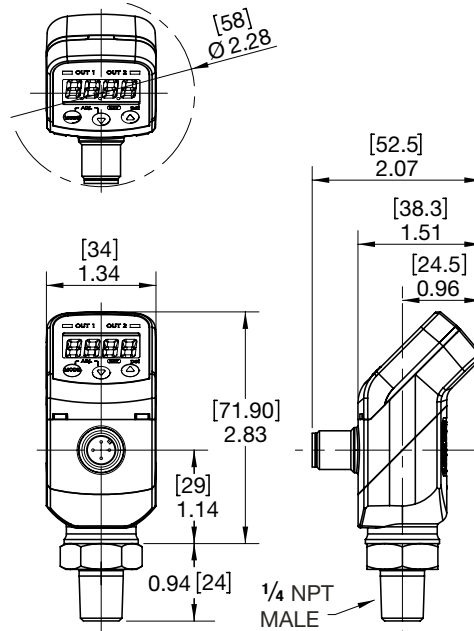
Dimensions in [] are millimeters

For reference only, consult Ashcroft for specific dimensional drawings

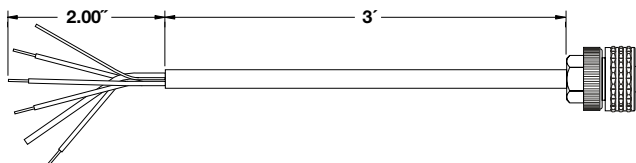
Back Connect



Lower Connect



M12 Mating Connector Drawing 611C175-03 (90° Right Angle)



| Wiring/Pin Out | 2 Switch (No 4-20 mA) | 1 Switch w/4-20 mA Analog Output | Pin 611C175 Cable Wiring color | |
|----------------|--------------------------|--|--------------------------------------|-------|
| | 1 | Power (+) | Power (+) | Red |
| | 2 | Out 2 | Analog (+) Output | White |
| | 3 | Power (-) | Power (-) Analog Output | Green |
| | 4 | Out 1 | Out 1 | Black |

Contact Us

1 800-328-8258

ashcroft.com

All specifications are subject to change without notice. All sales subject to standard terms and conditions. Ashcroft®, Trust the Shield® are trademarks of Ashcroft Inc. These non-Ashcroft trademarks are the property of their respective owners: GloBand™, Monel®, 17-4PH®. For more information, see [Ashcroft Brands & Trademarks](#)
©2026 Ashcroft Inc. GC-35_transducer_ds_RevE_21-April-26