

Data Sheet

600B Duratemp® Thermometer

FEATURES

- Extreme resistance to shock and vibration
- Exclusive movementless design eliminates wear and increases product life
- Maxivision® dial for precise readings (minimize parallax reading errors)
- All stainless steel case, stem and Everyangle™ harness
- Gas-operated molecular sieve
- Custom Dials

TYPICAL USES

- Offshore oil rigs
- Chemical and petrochemical plants
- Water and wastewater temperature control
- Pulp and paper
- Refineries
- Power
- General industrial
- Equipment skids
- HVAC
- Pharmaceutical / Biotech
- Food and beverage

SPECIFICATIONS

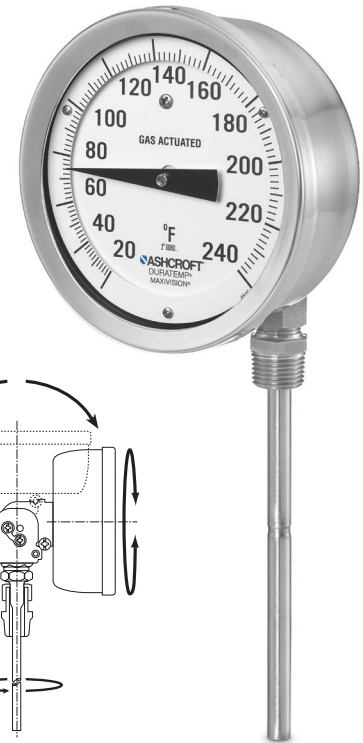
Accuracy:	±1% of span
Size:	4½"
Range:	-320 °F/200 °F to 400 °F/1,200 °F (-200 °C/100 °C to 200 °C/650 °C)
Over Range:	125% of span
Process Connection:	½ NPT Union
Mounting:	Direct mount
Stem Length:	6", 9", 12", 15", 18", 24", 30" or 36"
Stem Diameter:	0.375"
Dial:	Maxivision® linear anti-parallax dial, black markings on a white dial
Hand Set:	Stationary red hand set or Externally adjustable Red set hand
Pointer:	Black, aluminum

THERMAL SYSTEM

Connection Material	Stem
316 SS	316 SS

NON-WETTED COMPONENTS

Window	Case	Ring
Glass, safety glass or acrylic	304 SS	304 SS bayonet ring



The Everyangle™ Duratemp® thermometer may be rotated 360° for readability and the stem turned 180° for the most challenging installations.

C-600B
4½" dial size

KEY BENEFITS

- Impact-resistant stainless steel case
- Bayonet ring for easy glass replacement or pointer adjustment
- Extremely versatile for use on many applications
- No elevation error
- 5-year limited warranty
- Ideal for extreme process temperatures

TEMPERATURE LIMITS

Version	Ambient
Dry	-13 °F (-25 °C) to 160 °F (71 °C)

Data Sheet

600B Duratemp® Thermometer

ORDERING CODE	Example: C-600B	01	AB	-XSG
Direct Mount				
C-600B - 4½" Case size, SS bayonet ring, Everyangle™ connection	C-600B			
Stem Length				
01 - 6" Stem length "S" dimension		01		
02 - 9" Stem length "S" dimension				
03 - 12" Stem length "S" dimension				
04 - 15" Stem length "S" dimension				
05 - 18" Stem length "S" dimension				
06 - 24" Stem length "S" dimension				
07 - 30" Stem length "S" dimension				
08 - 36" Stem length "S" dimension				
09 - 33" Stem length "S" dimension				
11 - 22" Stem length "S" dimension				
12 - 10" Stem length "S" dimension				
14 - 16" Stem length "S" dimension				
24 - 17" Stem length "S" dimension				
26 - 19" Stem length "S" dimension				
29 - 7" Stem length "S" dimension				
30 - 8" Stem length "S" dimension				
31 - 11" Stem length "S" dimension				
32 - 13" Stem length "S" dimension				
33 - 26" Stem length "S" dimension				
34 - 45" Stem length "S" dimension				
35 - 14" Stem length "S" dimension				
36 - 20" Stem length "S" dimension				
Ranges (coding example, see range table below for all standard ranges)				
AB - -320 °F/200 °F (-200 °C/100 °C)			AB	
Options (If choosing an option(s) must include an "X")				
DM - Dial marking				-X _ _
EO - Externally adjustable red set hand				
EP - Externally adjustable maximum pointer				
EQ - Externally adjustable minimum pointer				
NH - Stainless steel tag				
NN - Paper tag				
PD - Acrylic window				
SG - Safety glass				SG
SH - Stationary red set hand				

NOTES

- Minimum recommended insertion length ("u" dimension) in liquids is 4 inches and in gases is 6 inches for standard 3/8" x 3" bulb.
- Thermowells must be used on any application where the bulb of the thermometer may be exposed to pressure, corrosive fluids, or velocity. Additionally, the use of a thermowell permits instrument interchangeability or recalibration without shutting down the process.
- When using a threaded thermowell in temperatures 750 °F and above, a 3" lag is recommended.

600B Duratemp® Thermometer

TEMPERATURE RANGES

Single Range		Dual Range			
Range Code °F	Range Code °C	Range Code			
AA	-320 °F/300 °F	AY	-200 °C/100 °C	DP	-80 °C/40 °C and -100 °F/100 °F
AB	-320 °F/200 °F	AX	-200 °C/40 °C	DT	-40 °C/80 °C and -40 °F/180 °F
AC	-320 °F/100 °F	AZ	-200 °C/150 °C	CF	0 °C/300 °C and 50 °F/550 °F
AD	-200 °F/100 °F	BE	-120 °C/40 °C	DK	0 °C/200 °C and 50 °F/400 °F
AE	-100 °F/100 °F	BL	-80 °C/40 °C	CE	0 °C/120 °C and 20 °F/240 °F
AF	-100 °F/200 °F	BM	-80 °C/100 °C	DR	10 °C/150 °C and 50 °F/300 °F
AG	-40 °F/180 °F	DA	-40 °C/160 °C		
CN	-20 °F/300 °F	BN	-40 °C/80 °C		
AH	-20 °F/120 °F	DS	-30 °C/150 °C		
AM	50 °F/400 °F	BP	-30 °C/50 °C		
AR	50 °F/750 °F	DB	-10 °C/110 °C		
AJ	20 °F/160 °F	BR	-10 °C/70 °C		
AK	20 °F/240 °F	BW	0 °C/400 °C		
AL	50 °F/300 °F	BU	0 °C/300 °C		
AN	50 °F/550 °F	BY	0 °C/200 °C		
AT	400 °F/1200 °F	BS	0 °C/120 °C		
		BT	10 °C/150 °C		
		BJ	200 °C/650 °C		

Data Sheet

600B Duratemp® Thermometer

DIMENSIONS in [] are millimeters

For reference only, consult Ashcroft for specific dimensional drawings

Dial Size Inches	A	B	C	D	E	F	G	H
4½	4.72 [120]	2.06 [52]	5.10 [130]	3.08 [78]	4.22 [107]	3 [76]	1 [25]	0.38 [10]

