

Data Sheet

ZT11 High Purity Pressure Transmitter

FEATURES

- 316L Stainless steel wetted parts
- 7 µin Ra Surface finish option
- 9/16 -18 UNF Male/Female fixed, swivel and flow through (compatible with 1/4 VCR® fitting)
- 100% Helium leak tested
- Class 100 cleanroom packaged and double bagged

TYPICAL USES

- High purity gas delivery systems
- Gas sticks
- Process gas analyzers



PERFORMANCE SPECIFICATIONS

Static Accuracy: ±0.25% of span @ 73.4 °F (23 °C)
 Accuracy includes the effects of linearity, hysteresis and repeatability

Stability: <0.25% of span/Yr

Temperature Effect: ±0.05% of span/°C (Zero & Span) in operating temperature range

ENVIRONMENTAL SPECIFICATIONS

Operating Temperature: -4 °F to 158 °F (-20 °C to 70 °C)

Storage Temperature: -22 °F to 176 °F (-30 °C to 80 °C)

Humidity: 35% to 85% RH

FUNCTIONAL SPECIFICATIONS

Gauge/Compound: Vacuum & 45 psi to vacuum & 3000 psi

Pressure Ranges: 0-45 psi to 0-3000 psi

Response Time: ≤ 5 mSec (10% to 90%)

Leakage Test: < 5 x 10⁻¹¹ atm cc/s

Proof Pressure: 150% of span

ELECTRICAL SPECIFICATIONS

Output Signal: 4 to 20 mA (2 Wire)

Supply Voltage: 15-24 Vdc

Load Resistance: R max (Ω) = 50 * (V supply) - 500
 (see line load chart)

Insulation Resistance: > 100MΩ at 50 Vdc

EMC/EMI: EN61326-1: 2013, EN61326-2-3: 2013

KEY BENEFITS

- Ultra-compact size ideal; for high density mounting
- Ultraclean design & packaging
- 316L SS Wetted parts for protection against corrosion

PHYSICAL SPECIFICATIONS

Ingress Rating: IP65 (with mating connector installed)

Case Material: 304 Stainless steel, PBT

Pressure Connection: 9/16 -18UNF (compatible with 1/4 VCR®) swivel Male or Female or Male fixed or Male flow through

Surface Finish: 20 µin or 7 µin Ra (0.5 µm or 0.18 µm Ra)

Unit Weight: Approximately 70 g

WETTED MATERIALS

Pressure Sensor: 316L Stainless steel

APPROVALS

CE/UKCA, RoHS

Data Sheet

ZT11 High Purity Pressure Transmitter

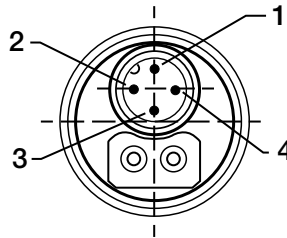
ORDERING CODE	ZT11	3	MVS	42	E4	1	3000#	-X1N
Example:								
Model								
ZT11	ZT11							
Accuracy								
3 - ±0.25% of span		3						
Pressure Connection								
MVF - 1/16 -18 UNF Male Fixed (compatible with 1/4 VCR® fitting)								
MVS - 1/16 -18 UNF Male Swivel (compatible with 1/4 VCR® fitting)			MVS					
FVS - 1/16 -18 UNF Female Swivel (compatible with 1/4 VCR® fitting)								
MVT - 1/16 -18 UNF Male Flow Through (compatible with 1/4 VCR® fitting)								
Output								
42 - 4 to 20 mA (2 Wire)				42				
Electrical Termination								
E4 - M12 Connector (4 Pin) w mating connector & 9 foot (3 meter) cable					E4			
Surface Finish / Cleaning Grade								
0 - GP Grade 20 µin (0.5µm) Ra & grease free cleaned								
1 - EP Grade 7 µin (0.18µm) Ra & cleaned with no particles 0.1µm or greater						1		
Pressure Range								
V/45#								
V/75#								
V/150#								
V/250#								
V/300#								
V/3000#								
45#								
75#								
150#								
300#								
500#								
750#								
1500#								
3000# (See range table for all standard ranges)							3000#	
Options (If indicating an option must include an "X" (-X...))								X
1N - Material Test Report/ Traceability Certificate								1N

Data Sheet

ZT11 High Purity Pressure Transmitter

STANDARD RANGES

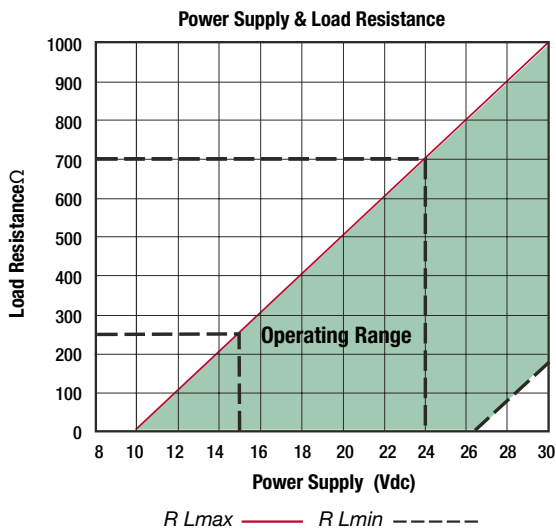
psi	bar	mPa
V/45#	N1/3BR	NP1/P3MP
V/75#	N1/5BR	NP1/P5MP
V/150#	N1/10BR	NP1/1MP
V/250#		
V/300#	N1/20BR	NP1/2MP
V/3000#	N1/200BR	NP1/20MP
45#	3BR	P3MP
75#	5BR	P5MP
150#	10BR	1MP
300#	20BR	2MP
500#	35BR	3P5MP
750#	50BR	5MP
1500#	100BR	10MP
3000#	200BR	20MP



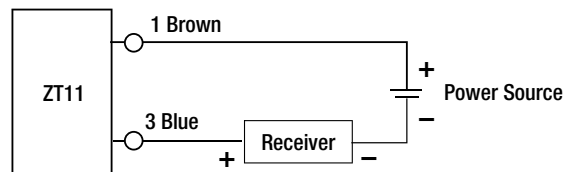
CONNECTOR & WIRING

Terminal Number	2-Wire System	Cable Color
1	Power source (+)	Brown
2	-----	White
3	Power source (-)	Blue
4	-----	Black

POWER SUPPLY & LOAD RESISTANCE



TWO WIRE SYSTEM TERMINAL DISTRIBUTION



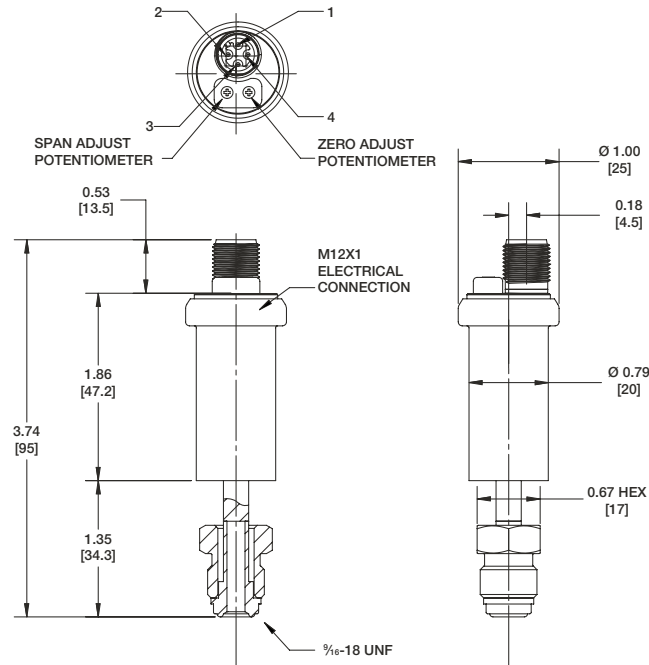
- 1- Brown: Power source (+)
- 3- Blue: Power source (-)

Data Sheet

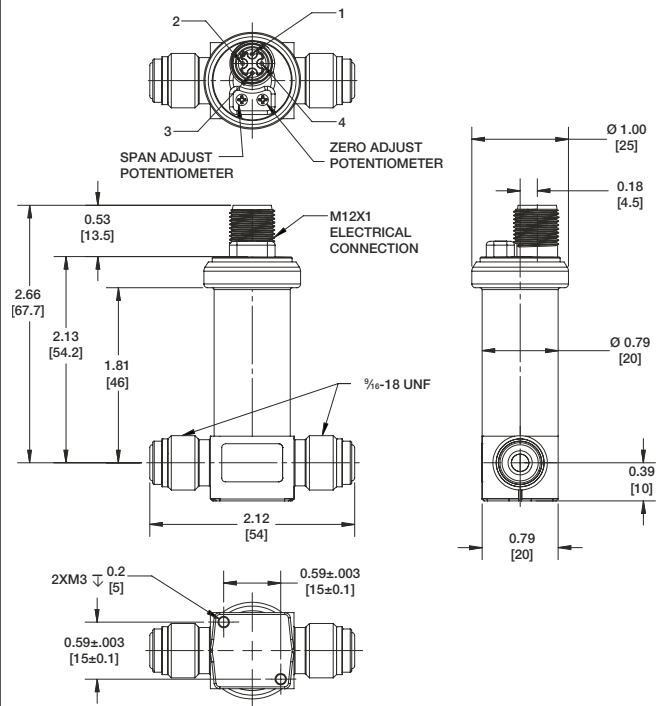
ZT11 High Purity Pressure Transmitter

DIMENSIONS Inches [mm]

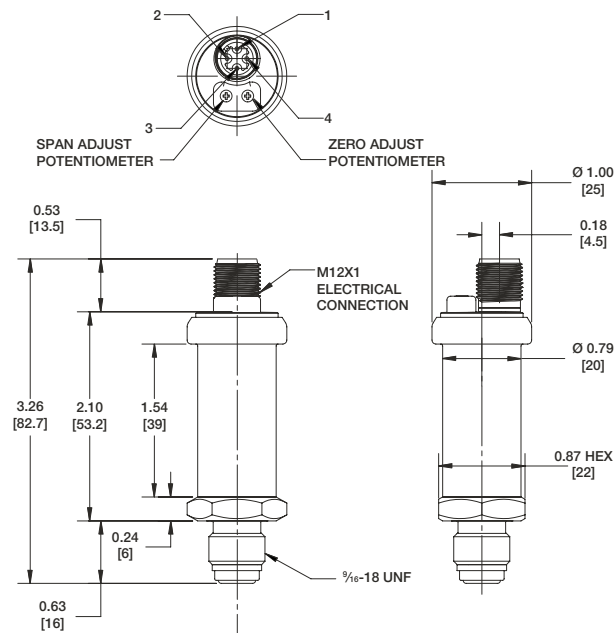
ZT11 Male Swivel



ZT11 Male Flow-Thru



ZT11 Male Fixed



ZT11 Female Swivel

