

Data Sheet

ZT16 High Purity Pressure Transmitter

FEATURES

- 316L SS wetted parts
- 7 µin Ra Surface finish option
- 100% Helium leak tested
- Clean room packaged
- 1.125" Surface mounting
- W and C seal types

TYPICAL USES

- High purity gas delivery systems
- Gas sticks
- Process gas analyzers



PERFORMANCE SPECIFICATIONS

Accuracy: ±0.5% or ±1.0% of span @ 23°C
(Accuracy includes the effects of linearity, hysteresis and repeatability)

Stability: <0.25% of span/Yr

Durability: > 10m cycles

ENVIRONMENTAL SPECIFICATIONS

Operating Temperature: -20°C to 70°C

Storage Temperature: -30°C to 80°C

Temperature Effect: ±0.05% F.S./°C for units with ±0.5% Accuracy
±0.10% F.S./°C for units with ±1.0% Accuracy
(Zero and Span) in operating temperature range

FUNCTIONAL SPECIFICATIONS

Response Time: 1ms

Proof Pressure: 200% of F.S.

Leakage Test: < 5 x 10⁻¹¹ atm cc/s

ELECTRICAL SPECIFICATIONS

Supply Voltage: 21.6 - 26.4 Vdc (4 to 20mA Version)
10.8 - 13.2 Vdc or 21.6 - 26.4 Vdc (1-5 Vdc Version)

Load Resistance: 500 Ω max (4 to 20mA Version)
10K Ω min (1-5 Vdc Version)

Insulation Resistance: > 100MΩ at 50 Vdc

EMC/EMI: EN61326-1: 2013, EN61326-2-3: 2013

Output: 4 to 20mA (2 Wire) or 1-5 Vdc (3 Wire)

KEY BENEFITS

- Ultra-compact size; ideal for high density mounting
- Ultraclean design & packaging
- 316L SS Wetted parts for protection against corrosion
- 100% Helium leak tested

PHYSICAL SPECIFICATIONS

Pressure Connection: 1.125" Surface Mount (Type W and C)

Electrical Connection: 5 Pin round connector

Weight: Appx 160g excluding cable

Weather Protection: Indoor use

WETTED MATERIALS

Pressure Sensor: 316L SS (STD.) or CoNi Alloy (OPT.)

Surface Finish: 20 µin or 7 µin Ra (0.5 µm or 0.18 µm Ra)

Internal Volume: Appx 0.04 In³ / 0.7 cm³

NON-WETTED MATERIALS

Case Material: 304 SS

HAZARDOUS AREA CERTIFICATIONS

Approvals: CE, RoHS

Data Sheet

ZT16 High Purity Pressure Transmitter

| ORDERING CODE | Example: | ZT16 | 5 | SMW | 42 | LW | 2 | V/150# | -X1N |
|--|----------|------|---|-----|----|----|---|--------|---------|
| Model | | | | | | | | | |
| ZT16 | | ZT16 | | | | | | | |
| Accuracy | | | | | | | | | |
| 5 - ±0.50% of span | | | 5 | | | | | | |
| 7 - ±1.00% of span | | | | | | | | | |
| Pressure Connection | | | | | | | | | |
| SMW - 1.125" Surface mount "W" Type (UC Grade) | | | | SMW | | | | | |
| SMC - 1.125" Surface mount "C" Type (UC Grade) | | | | | | | | | |
| Output | | | | | | | | | |
| 42 - 4 to 20mA (2 Wire) | | | | | 42 | | | | |
| 15 - 1 - 5 Vdc (3 Wire) | | | | | | | | | |
| Electrical Termination | | | | | | | | | |
| LW - 5 Pin round connector w/o mating connector | | | | | | LW | | | |
| L2 - 5 Pin round connector w mating connector & 3 foot (1 meter) cable | | | | | | | | | |
| L4 - 5 Pin round connector w mating connector & 6 foot (2 meter) cable | | | | | | | | | |
| L5 - 5 Pin round connector w mating connector & 9 foot (3 meter) cable | | | | | | | | | |
| Surface Finish / Cleaning Grade | | | | | | | | | |
| 2 - UC Grade AOD/VAR 7 µin (0.18 µin) Ra & cleaned with no particles ≥0.1 µm | | | | | | | 2 | | |
| Pressure Range | | | | | | | | | |
| V/150# (See range table for all standard ranges) | | | | | | | | V/150# | |
| Options (If indicating an option must include an "X" (-X...)) | | | | | | | | | |
| 1N - Material Test Report/Traceability Cert | | | | | | | | | X 1N |

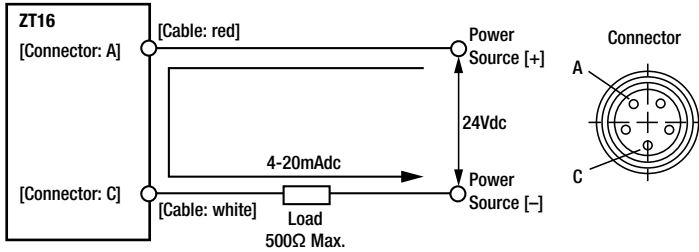
| STANDARD RANGES | | |
|-----------------|---------|----------|
| psi | bar | mPa |
| V/45# | N1/3BR | NP1/P3MP |
| V/75# | N1/5BR | NP1/P5MP |
| V/150# | N1/10BR | NP1/1MP |
| 45# | 3BR | P3MP |
| 75# | 5BR | P5MP |
| 150# | 10BR | 1MP |

ZT16 High Purity Pressure Transmitter

CONNECTOR & WIRING

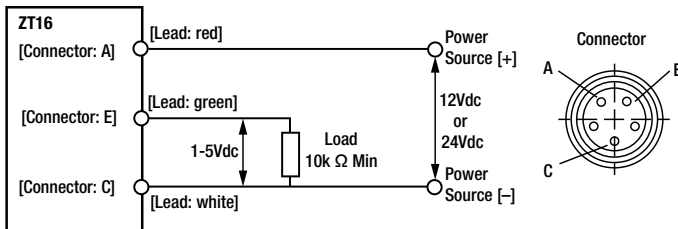
(1) 4 to 20mA dc output (current output)

- [Connector: A] — [Lead: Red] — [Power source (+)]
- [Connector: C] — [Lead: White] — [Power source (-)]



(2) 1 to 5vdc output (voltage output)

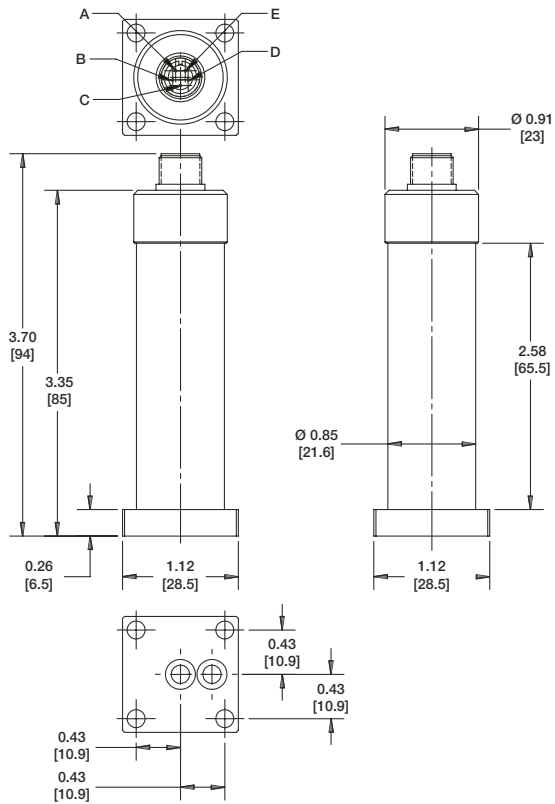
- [Connector: A] — [Lead: Red] — [Power source (+)]
- [Connector: C] — [Lead: White] — [Power source (-), Output (-)]
- [Connector: E] — [Lead: Green] — [Output (+)]



ZT16 High Purity Pressure Transmitter

DIMENSIONS Inches [mm]

ZT16 Surface Mount Type C



ZT16 Surface Mount Type W

