

Data Sheet

S5500 Gas Actuated Thermometer

FEATURES

- All-stainless steel construction
- Direct or remote mount versions
- Wide selection of temperature ranges
- Dry or liquid filled
- IP65 protection
- EN 13190

TYPICAL USES

- Chemical and petrochemical plants
- Pulp and paper
- Water and wastewater
- Food and beverages
- Machine and apparatus construction
- Pharmaceutical / biotech



S5500 Gas Actuated Thermometer
100 mm, 160 mm dial sizes



SPECIFICATIONS

Accuracy:	±1% of span (STD.), 0.5% of span (OPT.)
External Zero Adjustment:	±6%, 0.5% of span accuracy with micrometer pointer
Weather Protection:	IP65
Stem/Bulb Length:	55 mm to 100 mm; minimum length varies by bulb and temperature range
Capillary Line Length:	100 meters max on remote mount version
Dial Sizes:	100 mm or 160 mm
Dial Style:	White with black markings
Temperature Ranges:	-330 °F/120 °F to 32 °F/1450 °F -200 °C/50 °C to 0 °C/800 °C
Overtemperature Limits:	Max. 130% of full scale or 1450 °F (800 °C) Higher overtemperature limit (OPT.)
Process Connection:	Refer to ordering code
Stem diameter:	6, 9 mm; other sizes on request
Case & Stem:	304 Stainless steel, 316 Stainless steel
Process Connection Location:	Lower, back, knee joint bendable 360 °
Mounting:	Stem, surface, (OPT. FX) or flush (OPT. FW)
Ring:	Bayonet
Pointer:	Black, aluminum
Window:	Glass (STD.), safety glass or acrylic (OPT.)
Approvals:	ATEX (OPT.)

KEY BENEFITS

- Rugged construction
- Highly resistant to shock and vibration
- Ideal for extreme temperature measurement
- High repeatability/small hysteresis

WETTED COMPONENTS

Process connection	304 Stainless steel
Stem	321 Stainless steel
Armored capillary line	321 Stainless steel
Armored capillary line, PVC sheath	304 Stainless steel (STD.) or 316 Stainless steel (OPT.)

NON-WETTED COMPONENTS

Case/Ring	304SS (STD.)	Blow out back (ATEX only)
	316SS (OPT.)	

Data Sheet

S5500 Gas Actuated Thermometer

ORDERING CODE - Remote Mount	Example:	10	S5500	6	60	D	00	CS3	50N	L	0/60C	XNH
Dial Size												
10 - 100 mm		10										
16 - 160 mm												
Model												
S5500			S5500									
Bulb Diameter												
6 - 6 mm (100 mm min. stem length)				6								
9 - 9 mm												
Bulb/Stem Length												
XX - 55 to 1000 mm (1000 mm max.)					60							
Mounting												
D - Direct mount						D						
R - Remote mount												
Capillary Line Length												
00 - Direct mount							00					
XX - In mm (100 meter max.)												
Process Connection												
CS2 - Adjustable union connection sliding on capillary line												
CS3 - Adjustable union connection sliding on stem								CS3				
Process Connection Size												
50N - 1/2 NPT									50N			
Connection Location												
L - Lower										L		
R - Back												
Temperature Range (see table 1 for additional ranges)												
0/60 °C											0/60C	
Options: (must include an X before the options)												
AJ - Accuracy 0.5% of span												
A4 - 304 Stainless steel armored capillary line (REMOTE ONLY)												
A5 - PVC coated, 304 Stainless steel armored capillary line (REMOTE ONLY)												
CS - Dual scale												
DA - Dial marking												
EP - Maximum pointer												
FH - Surface mounting bracket L = 90 mm												
FW - Back flange												
FX - Front flange												
TM - 2" Pipe mounting bracket												
MP - Micrometer pointer												
NH - Stainless steel wired tagging												NH
PD - Acrylic window												
SG - Safety glass												
UC - U-clamp												
YW - 316 Stainless steel case												
AX - ATEX approval												
Other options on request												

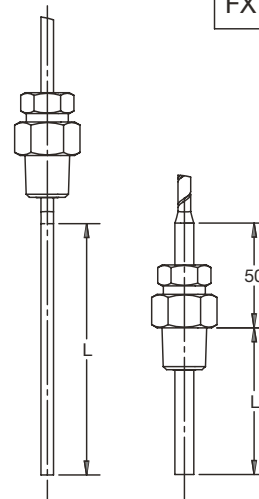
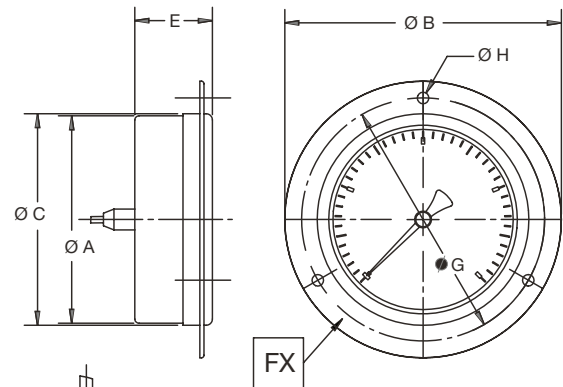
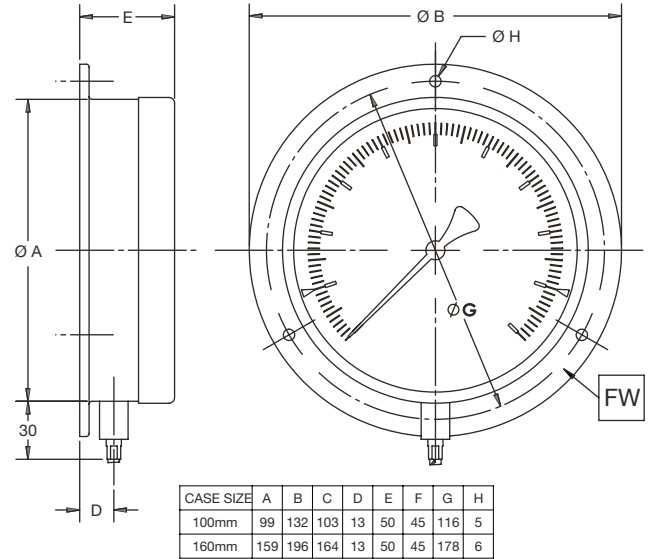
S5500 Gas Actuated Thermometer

TABLE 1 TEMPERATURE RANGES

TEMPERATURE RANGES		
Degrees °F	Degrees °C	Degrees °C
0/140	0/ 60	-40/160
0/200	0/ 80	-40/400
0/210	0/ 100	-50/50
0/250	0/ 120	-50/70
0/300	0/150	-50/100
0/320	0/ 160	-50/120
0/350	0/ 200	-50/150
0/400	0/ 250	-50/160
0/500	0/ 300	-50/250
0/550	0/ 400	-50/600
0/700	0/450	-60/40
0/800	0/ 500	-60/60
0/1000	0/550	-60/80
0/1100	0/600	-60/100
0/1450	0/650	-70/40
20/220	0/700	-70/60
20/240	0/750	-70/100
30/140	0/800	-80/40
30/220	50/450	-100/50
30/240	50/650	-100/100
30/250	100/550	-100/150
30/300	200/600	-100/200
30/320	200/650	-110/50
30/360	-10/50	-120/40
30/400	-10/60	-120/100
32/320	-10/100	-120/150
32/572	-10/110	-150/100
32/752	-10/120	-200/50
50/300	-10/150	-200/60
50/400	-10/700	-200/80
50/500	-15/75	-200/100
50/550	-20/40	
50/1200	-20/60	
50/1450	-20/80	
400/1200	-20/100	
400/1400	-20/120	
-20/120	-20/180	
-40/160	-30/30	
-40/180	-30/50	
-40/300	-30/70	
-40/400	-30/100	
-100/150	-30/150	
-150/150	-30/170	
-200/150	-40/20	
-250/150	-40/40	
-300/150	-40/60	
-320/200	-40/80	
	-40/100	
	-40/120	

DIMENSIONS in [] are millimeters

For reference only, consult Ashcroft for specific dimensional drawings



CS2 CS3
PROCESS CONNECTION