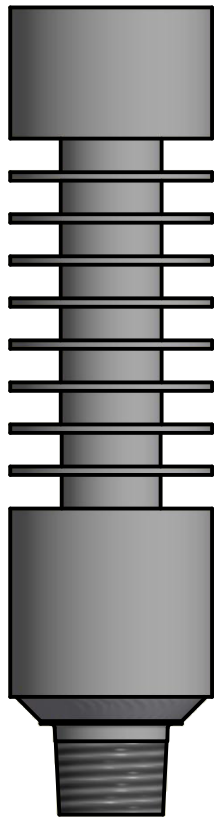


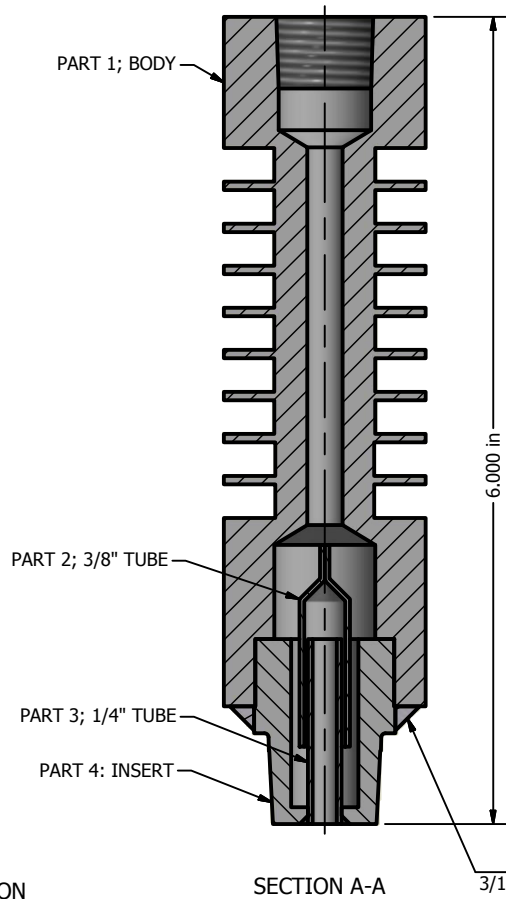
This drawing includes confidential information which is the property of ASHCROFT INC. This copy is loaned for a specific purpose, with the understanding that it will not be reproduced or used for any other purpose or disclosed to others, and it will be returned on demand.

ASHCROFT INC.

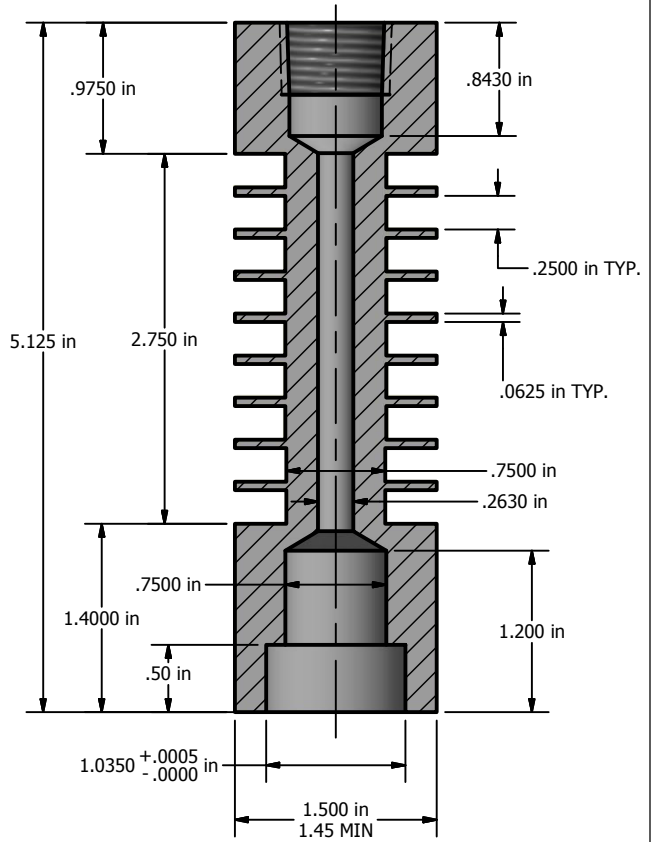
250 EAST MAIN STREET
STRATFORD, CT 06614



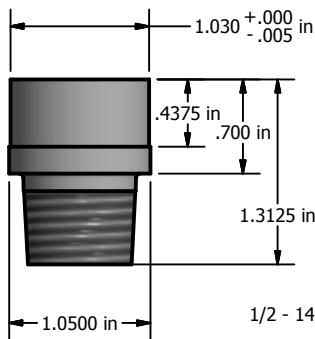
ASSEMBLED GAUGE SYPHON



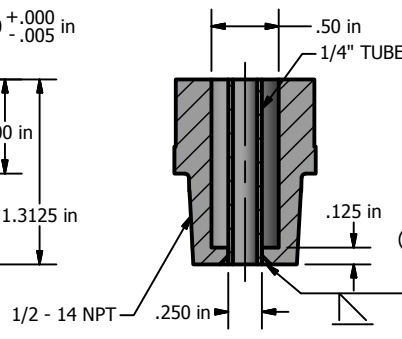
SECTION A-A



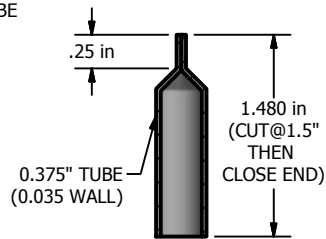
PART 1; BODY
SECTION VIEW



PART 3 & 4;
WELDMENT



SECTION B-B



PART 2; 3/8\"/>

This print certified correct for		General Dimensions		
Customer's Name		04 1198 SS 50		
		SIPHON		
Customer's Order No.	Drawn MJS	Date 6/1/10	Date of Issue	
Ashcroft Order No.	Checked	Date	SHEET-1	
Certified by	Date	Approved	Date	04-1198-SS-50