

Data Sheet

F5504 Differential Pressure Gauge

FEATURES

- 316L Stainless steel case and wetted parts
- Static pressure up to 5,800 psi
- Ingress protection IP67
- External zero adjustment
- Dry or liquid filled

TYPICAL USES

- Refineries
- Power plants
- Chemical and petrochemical plants
- Water and wastewater pressure control
- Marine and offshore
- Mining and metals
- Filtration monitoring
- Level and flow measurement



F5504

100 mm, 160 mm dial size



SPECIFICATIONS

| | |
|--------------------------------|--|
| Accuracy: | Stainless steel 316L or Hastelloy® C-276: Class 1.6 with 1.6 % of span Monel® 400: Class 2.5 with 2.5 % of span |
| Size: | 100 mm or 160 mm |
| Static Pressure: (One side) | 1,450 psi (standard) 3,625 psi (optional for ranges 160 inches of water to 600 psi) 5,800 psi (optional for ranges 160 inches of water to 600 psi) |
| Process Connection: | ¼ NPT, ½ NPT, G¼B female |
| Process Connection Location: | Lower |
| Case Style: | Open front |
| Pointer: | Black, aluminum, external zero adjustment Micrometer-Pointer, optional External Adjustment |
| Movement: | 304 Stainless steel |
| Weather Protection: | IP67, EN 60529/IEC 529 |
| Mounting: | Direct, optional wall, front or 2" pipe mounting |
| Liquid Fill: | Glycerin, Silicone, Halocarbon® |
| Certificates: | NACE |
| Weights in lbs: | See table at page 4 |

KEY BENEFITS

- Perfect choice for challenging application and installation requirements
- Designed for harsh services
- High reliability and safety

WETTED COMPONENTS

| | | |
|--|--|--------|
| Diaphragm | Housing (Chamber) | O-Ring |
| 316L Stainless steel Hastelloy® C-276 Monel® 400 | 316L Stainless steel Hastelloy® C-276 Monel® 400 | Viton™ |

NON-WETTED COMPONENTS

| | | |
|----------------------|--------------------------------------|--------------|
| Case | Ring | Window |
| 316L Stainless steel | Bayonet ring 316L Stainless steel | Safety glass |

Data Sheet

F5504 Differential Pressure Gauge

| ORDERING CODE | EXAMPLE: | 10 | F5504 | SS | D | 04 | L | SP1 | SG | 1 | J | 40IW | -XC3 |
|--|----------|----|-------|----|---|----|---|-----|----|---|---|------|------|
| Size | | | | | | | | | | | | | |
| 10 - 100 mm | | 10 | | | | | | | | | | | |
| 16 - 160 mm | | | | | | | | | | | | | |
| Model | | | F5504 | | | | | | | | | | |
| F5504 - Differential pressure gauge with open front case | | | | | | | | | | | | | |
| Diaphragm and Housing Material | | | | | | | | | | | | | |
| SS - 316L Stainless steel diaphragm and housing | | | | SS | | | | | | | | | |
| HS - Hastelloy® C-276 diaphragm and 316L Stainless steel housing | | | | | | | | | | | | | |
| PS - Monel® 400 diaphragm and 316L Stainless steel housing | | | | | | | | | | | | | |
| HH - Hastelloy® C-276 diaphragm and housing | | | | | | | | | | | | | |
| PM - Monel® 400 diaphragm and housing | | | | | | | | | | | | | |
| Case | | | | | | | | | | | | | |
| D - Dry case | | | | | D | | | | | | | | |
| H - Halocarbon Fill | | | | | | | | | | | | | |
| G - Glycerin Fill | | | | | | | | | | | | | |
| S - Silicon Fill | | | | | | | | | | | | | |
| Process Connection | | | | | | | | | | | | | |
| 04 - ½ NPT Male | | | | | | 04 | | | | | | | |
| 25 - ¼ NPT Female | | | | | | | | | | | | | |
| 50 - ½ NPT Female | | | | | | | | | | | | | |
| 51 - G ½ Female | | | | | | | | | | | | | |
| DM - Oval flange adapter (for use with direct mount manifold) | | | | | | | | | | | | | |
| Process Connection Location | | | | | | | | | | | | | |
| L - Lower | | | | | | | L | | | | | | |
| Static Pressure | | | | | | | | | | | | | |
| SP1 - Static pressure maximum 1450 psi | | | | | | | | SP1 | | | | | |
| SP2 - Static pressure maximum 3625 psi | | | | | | | | | | | | | |
| SP3 - Static pressure maximum 5800 psi | | | | | | | | | | | | | |
| Window Material | | | | | | | | | | | | | |
| SG - Safety glass | | | | | | | | | SG | | | | |
| Case Mounting | | | | | | | | | | | | | |
| 0 - Stem mounting | | | | | | | | | | | | | |
| 1 - Front flange (including 2" pipe mounting bracket) | | | | | | | | | | 1 | | | |
| 2 - Wall mounting flange | | | | | | | | | | | | | |
| 3 - 2" Pipe mounting bracket | | | | | | | | | | | | | |
| Accuracy | | | | | | | | | | | | | |
| J - ±1% of span upscale accuracy (316 Stainless steel only) | | | | | | | | | | | J | | |
| L - ±1.6% of span full scale (316 Stainless steel and Hastelloy® C-276 only) | | | | | | | | | | | | | |
| M - ±2.5% of span full scale (Monel® wetted parts only) | | | | | | | | | | | | | |
| Range (coding examples only, see range table on page 3 for all standard ranges) | | | | | | | | | | | | | |
| 40IW - 40IWD | | | | | | | | | | | | 40IW | |

continued on page 3

F5504 Differential Pressure Gauge

ORDERING CODE **EXAMPLE:** 10 F5504 SS D 04 L SP1 SG 1 J A B 40IW -XC3

Options (If choosing an option(s) must include a "X")

Window & Pointer

- EA - External zero adjustment
- EP - Maximum adjustable pointer with polycarbonate window
- EQ - Minimum adjustable pointer with polycarbonate window

Cleaning

- 6B - Cleaned for oxygen service

Tagging and Markings

- NH - Stainless steel tag, wired
- DA - Dial marking

Testing/Certificates

- CD2 - Material test report according to EN 10204 / 2.2
- CD3 - Material report according to EN 10204 / 3.1 **-XC3**
- CD5 - Certificate according to NACE for Oilfields MR0175 / ISO 15156 and Refineries MR0103 / ISO 17945
- MQ - Positive Material Identification (PMI)
- C4 - [Traceable calibration certificate](#)
- HY - Hydrostatic pressure test
- 5G - Attach to 3 or 5 valve manifold. Must use DM connection code for F5504.

PRESSURE RANGE TABLE

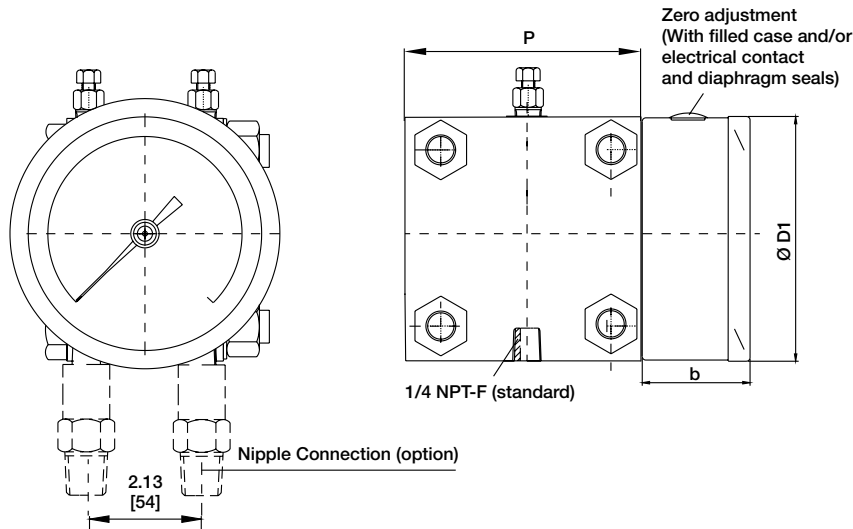
| IW | psi # | mbar MB | bar BR | kPa KP |
|---------|-------|----------|--------|--------|
| 24 | 3 | 60 | 0.6 | 6 |
| 40 | 5 | 100 | 1 | 10 |
| 65 | 10 | 160 | 1.6 | 16 |
| 100 | 15 | 250 | 2.5 | 25 |
| 160 | 30 | 400 | 4 | 40 |
| 240 | 60 | 600 | 6 | 60 |
| N16/24 | 100 | - | 10 | 100 |
| N24/40 | 250 | N40/60 | 16 | 160 |
| N65/60 | 300 | N60/100 | 25 | 250 |
| N60/100 | 400 | N100/150 | 40 | 400 |
| | 600 | N150/250 | - | 600 |
| | | | N1/0.6 | |
| | | | N1/1.5 | |
| | | | N1/3 | |
| | | | N1/5 | |

Data Sheet

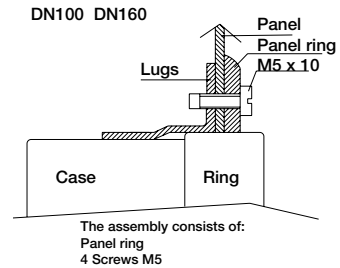
F5504 Differential Pressure Gauge

DIMENSIONS IN INCH [MM]

For reference only, consult Ashcroft for specific dimensional drawings



PANEL MOUNTING



PANEL CUT OUT

| DIAL SIZE | CUT OUT Ø |
|-----------|------------|
| 100 mm | 4.13 [105] |
| 160 mm | 6.50 [165] |

| DIAL SIZE D1 | Range IW | P Dimension: Static Pressure to 1,450 psi | P Dimension: Static Pressure >1,450 to <3,625 psi | P Dimension: Static Pressure >3,625 to 5,800 psi | b |
|-----------------|-------------|---|---|--|----------|
| 100 | ≤65 | 5.5 [140] | - | - | 2.0 [51] |
| | >65 to 100 | 3.94 [100] | 3.94 [100] | - | 2.0 [51] |
| | >100 to 160 | 3.46 [88] | 3.46 [88] | 3.94 [100] | 2.0 [51] |
| 160 | ≥65 | 5.5 [140] | - | - | 2.0 [51] |
| | >65 to 100 | 3.94 [100] | 3.94 [100] | - | 2.0 [51] |
| | >100 to 160 | 3.46 [88] | 3.46 [88] | 3.94 [100] | 2.0 [51] |

WEIGHT (lbs)

| DIAL SIZE D1 | Range IW | P Dimension: Static Pressure to 1,450 psi | P Dimension: Static Pressure >1,450 to <3,625 psi | P Dimension: Static Pressure >3,625 to 5,800 psi |
|-----------------|-------------|---|---|--|
| 100 | >65 to 100 | | 11.5 | - |
| 160 | >100 to 160 | | 10 | 15.4 |

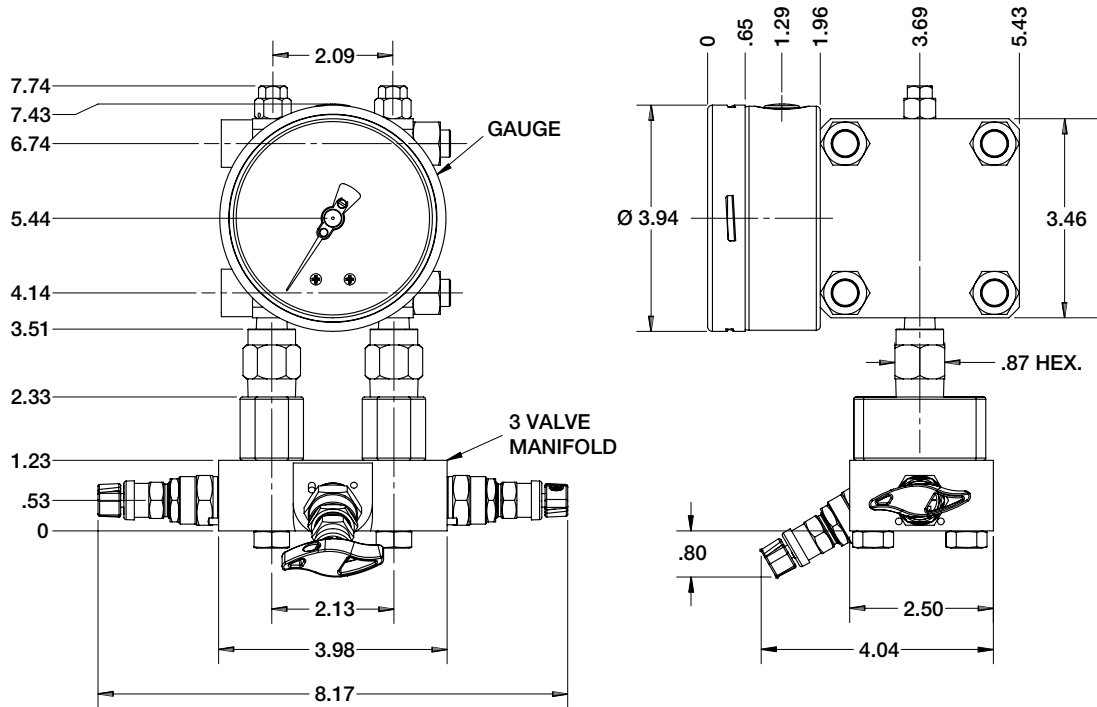
Data Sheet

F5504 Differential Pressure Gauge

DIMENSIONS ARE IDENTIFIED IN INCHES AND [MILLIMETERS]

For reference only, consult Ashcroft for specific dimensional drawings

P301 with Oval Flange Connection (F5504) V02 3 Valve Manifold



P301 with Oval Flange Connection (F5504) V02 5 Valve Manifold

