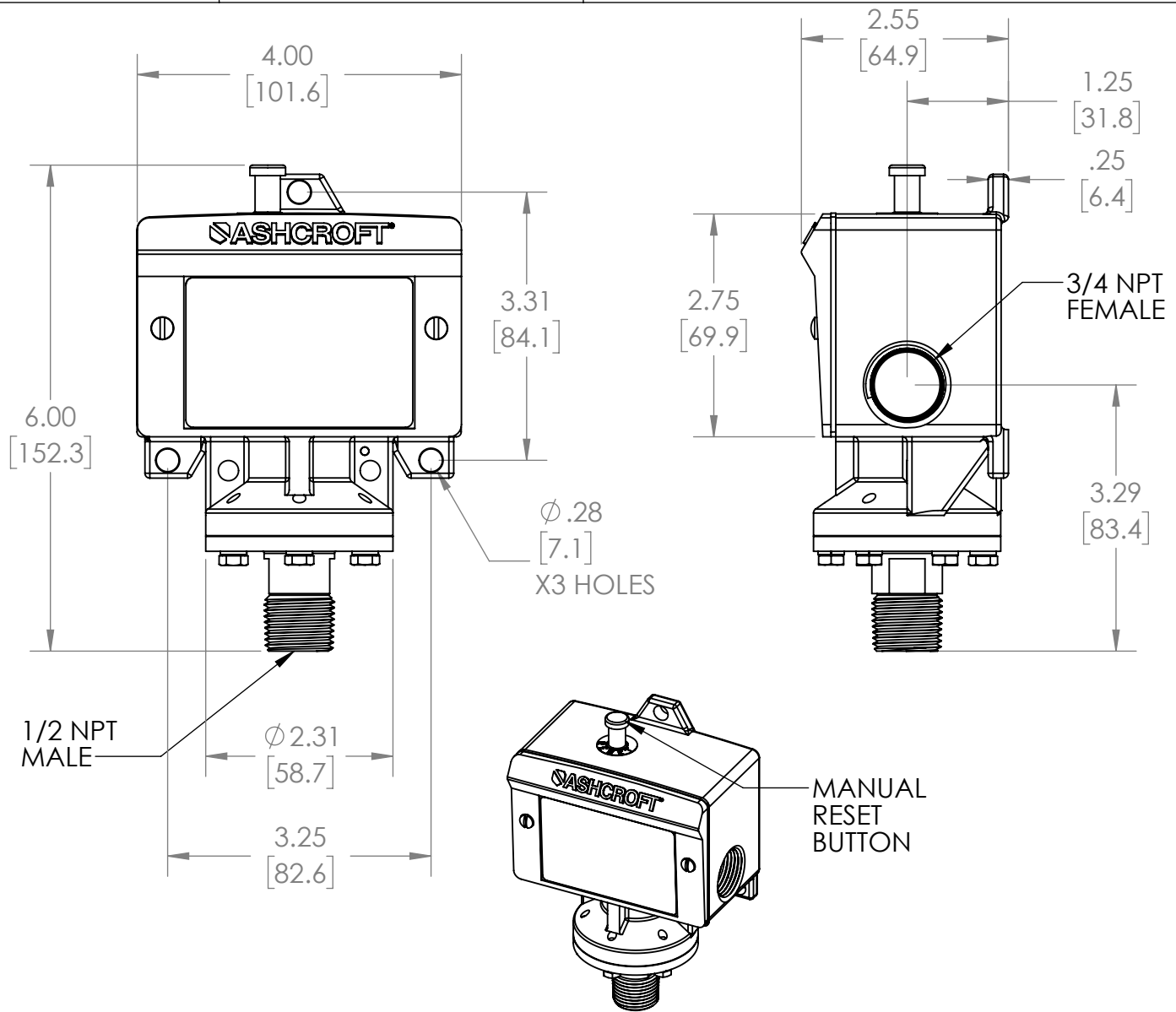


This drawing includes confidential information which is the property of ASHCROFT INC. This copy is loaned for a specific purpose, with the understanding that it will not be reproduced or used for any other purpose or disclosed to others, and it will be returned on demand.

**ASHCROFT**® INC.

250 EAST MAIN STREET  
STRATFORD, CT 06614



NOTE:  
SWITCH CODE 28 IS FOR MANUAL RESET TRIP FOR INCREASING PRESSURE.  
SWITCH CODE 29 IS FOR MANUAL RESET TRIP FOR DECREASING PRESSURE.

DIMENSIONS IN [ ] ARE MILLIMETERS

APPLICABLE SWITCH PRODUCT CODES				
SWITCH TYPE	SWITCH ELEMENT	SEAL MATERIAL	VARIATIONS	RANGE
B4	28, 29	B, T, V	X06	1000-3000PSI

REV.	ECO	DESCRIPTION	BY	DATE
A	0007530	RELEASE GENERAL DIMENSIONS	HOY	4/1/2015

This print certified correct for  
Customer's Name

Customer's Order No.  
Ashcroft Order No.  
Certified by  
Date

**General Dimensions**

## B4 PRESSURE SWITCH

BUNA, TEFLON, VITON DIAPHRAGM MAT'L  
RANGES 1000 – 3000PSI - X06; MANUAL RESET

Drawn	HOY	Date 4/1/15	Date of Issue
Checked	TB	Date 4/1/15	SHEET-1
Approved	SSH	Date 4/1/15	Rev. <b>70A4022</b>
			<b>A</b>