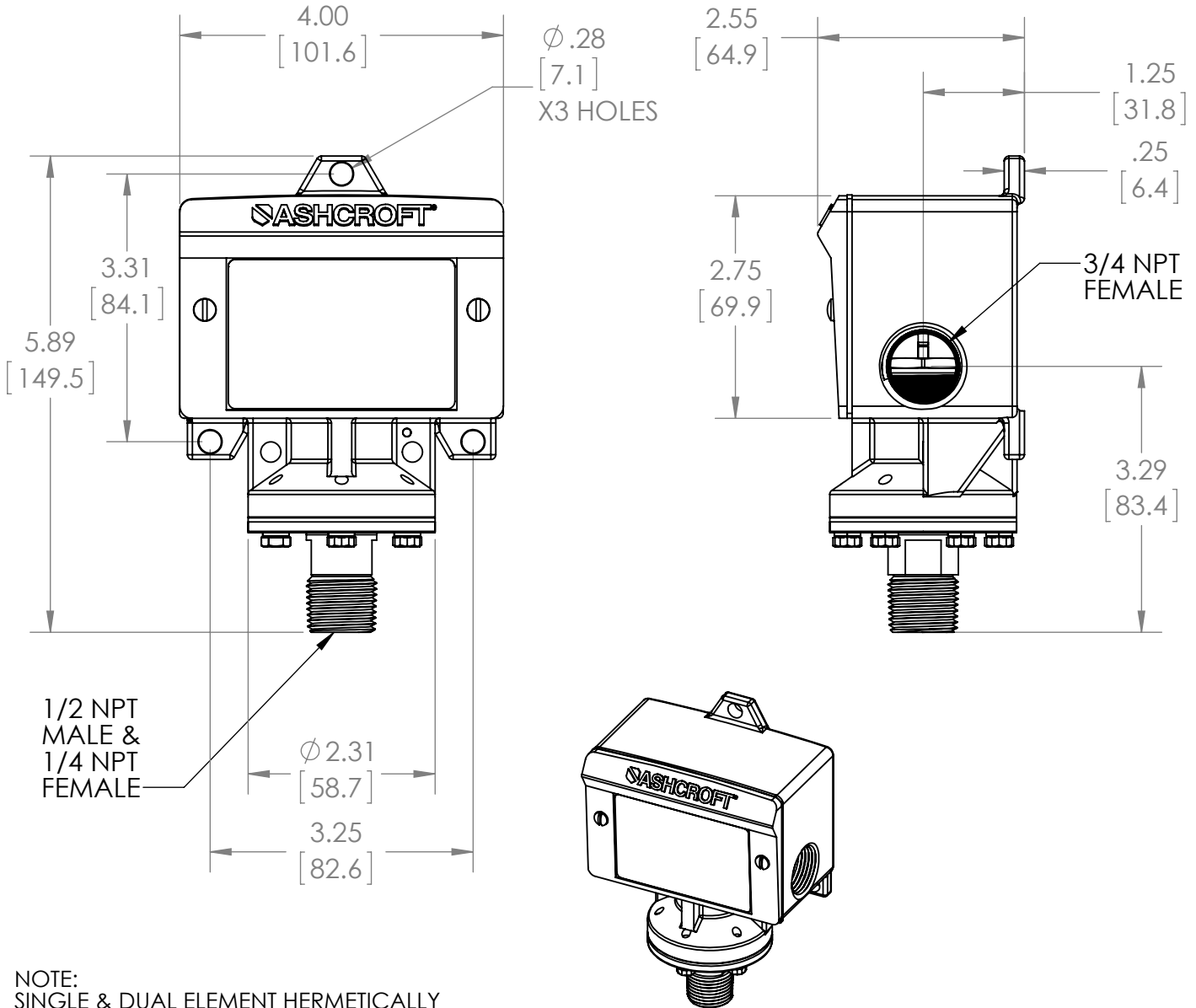


This drawing includes confidential information which is the property of ASHCROFT INC. This copy is loaned for a specific purpose, with the understanding that it will not be reproduced or used for any other purpose or disclosed to others, and it will be returned on demand.



NOTE:
SINGLE & DUAL ELEMENT HERMETICALLY SEALED SWITCHES ARE SUPPLIED WITH A SET OF 12" 18 GA. LEADS.

ALL OTHER DUAL ELEMENT SWITCHES ARE SUPPLIED WITH A SET OF 6" 18 GA. LEADS FOR THE REAR MOUNTED SWITCH ONLY.

DIMENSIONS IN [] ARE MILLIMETERS

APPLICABLE SWITCH PRODUCT CODES				
SWITCH TYPE	SWITCH ELEMENT	SEAL MATERIAL	VARIATIONS	RANGE
B4	-	B, T, V	X06	1000-3000 PSI

REV.	ECO	DESCRIPTION	BY	DATE
A	0007530	RELEASE GENERAL DIMENSIONS	HOY	4/1/2015

This print certified correct for
Customer's Name

General Dimensions
B4 PRESSURE SWITCH
BUNA, TEFLON, VITON DIAPHRAGM MAT'L
RANGES 1000 – 3000 PSI - X06

Customer's Order No.
Ashcroft Order No.
Certified by
Date

Drawn HOY Date 4/1/15 Date of Issue
Checked TB Date 4/1/15 SHEET-1 Rev.
Approved SSH Date 4/1/15 **70A4020** **A**