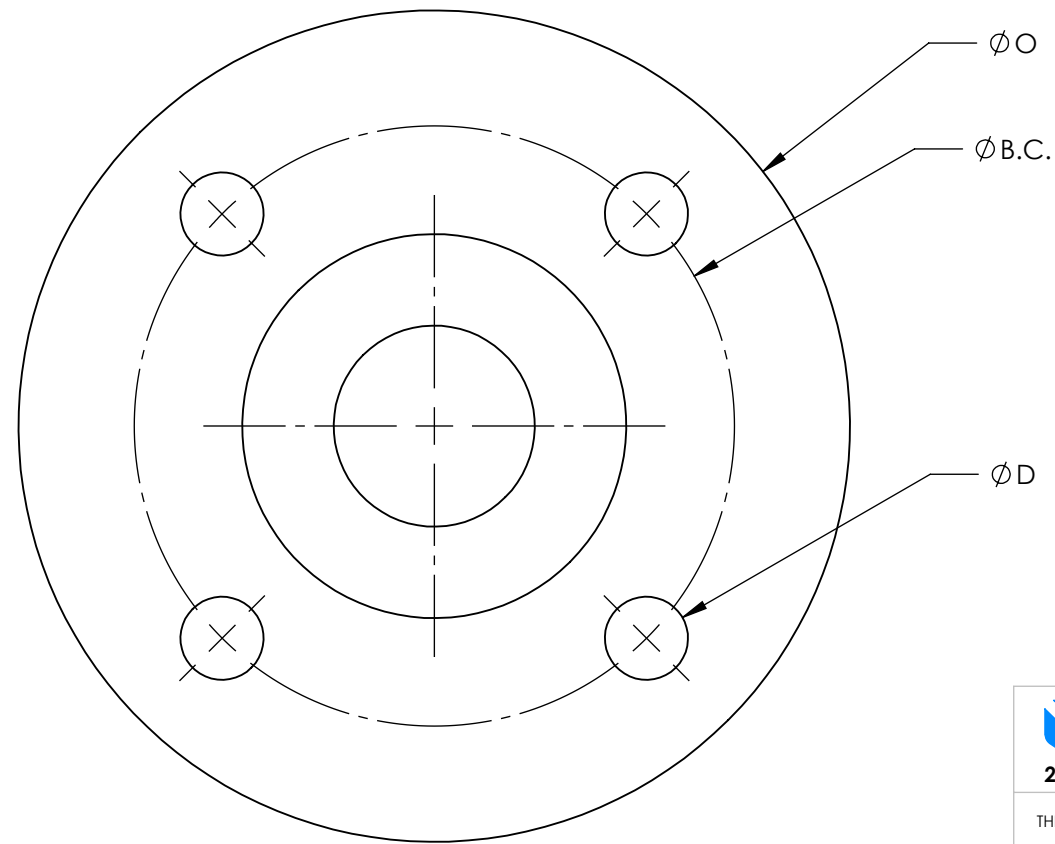
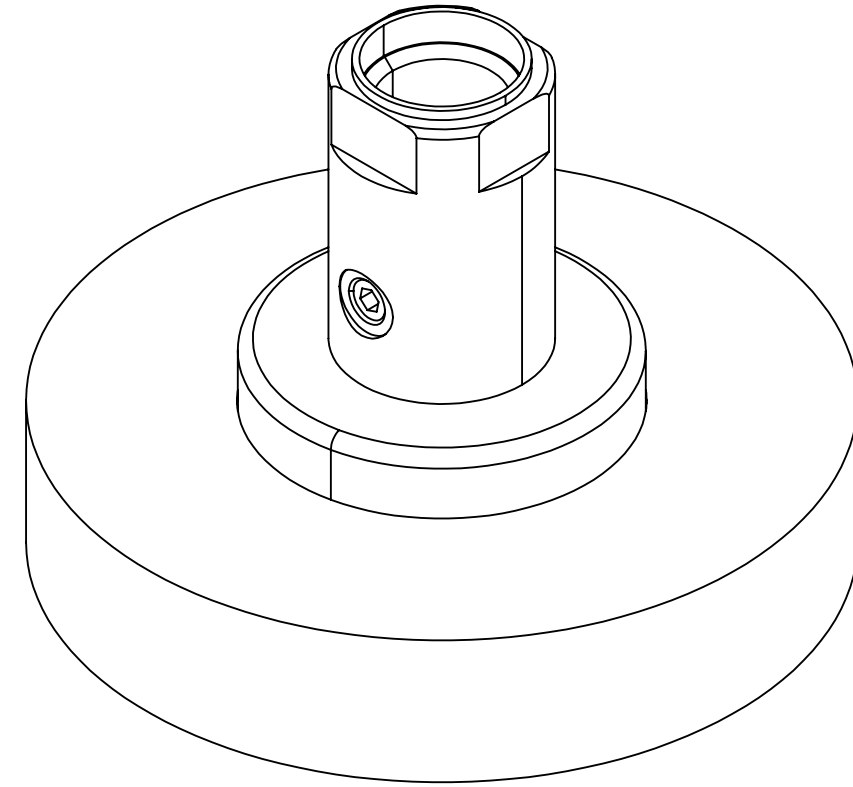
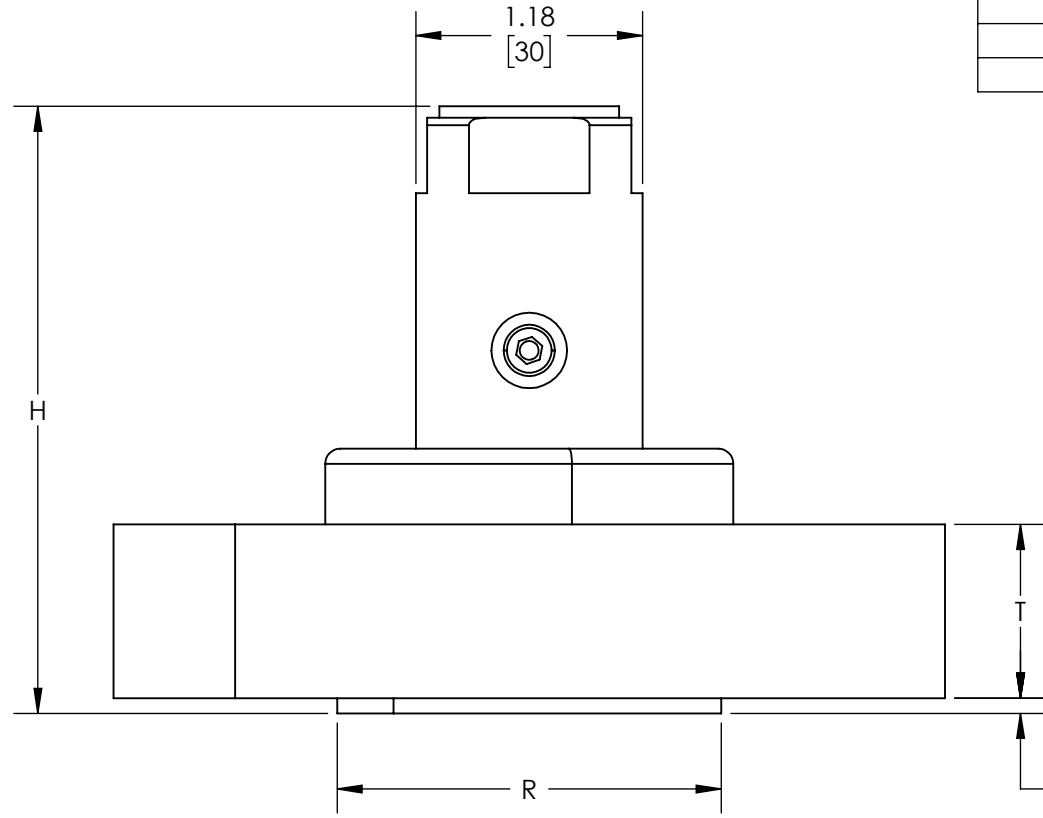


SEAL 10502 150RF SHOWN FOR REFERENCE

Nominal Pipe Size	Outer Diameter (O)	Flange Thickness (T)	Raised Face Diameter (R)	Number of Holes (#)	Threaded Hole Size (D)	Bolt Circle Diameter (B.C.)	Total Height (H)
50	3.50	0.38	1.38	4	1/2-13	2.38	3.28
75	3.88	0.50	1.69	4	1/2-13	2.75	3.16
10	4.25	0.50	2.00	4	1/2-13	3.12	3.16
15	5.00	0.62	2.88	4	1/2-13	3.88	3.04



ALL DIMENSIONS ARE IN INCHES, [ ] ARE IN mm

REV.	ECO	DESCRIPTION	BY	DATE
A	0015588	INITIAL RELEASE	MJR	5/27/2026

**ASHCROFT**  
250 EAST MAIN STREET STRATFORD, CT 06614

THIRD ANGLE PROJECTION

THIS DRAWING INCLUDES CONFIDENTIAL INFORMATION WHICH IS THE PROPERTY OF ASHCROFT INC. THIS COPY IS LOANED FOR A SPECIFIC PURPOSE. WITH THE UNDERSTANDING THAT IT WILL NOT BE REPRODUCED OR USED FOR ANY OTHER PURPOSE OR DISCLOSED TO OTHERS, AND IT WILL BE RETURNED ON DEMAND.

THIS PRINT CERTIFIED CORRECT FOR:

CUSTOMER NAME

CUSTOMER ORDER NO.:

ASHCROFT ORDER NO.:

CERTIFIED BY:

DATE:

GENERAL DIMENSION DRAWING  
SEAL: 10,15,50,75502 150RF

DRAWN: M. RABOY

DATE: 5/27/2026

DATE OF ISSUE: 5/27/2026

REV.:

**070A5005**

**A**