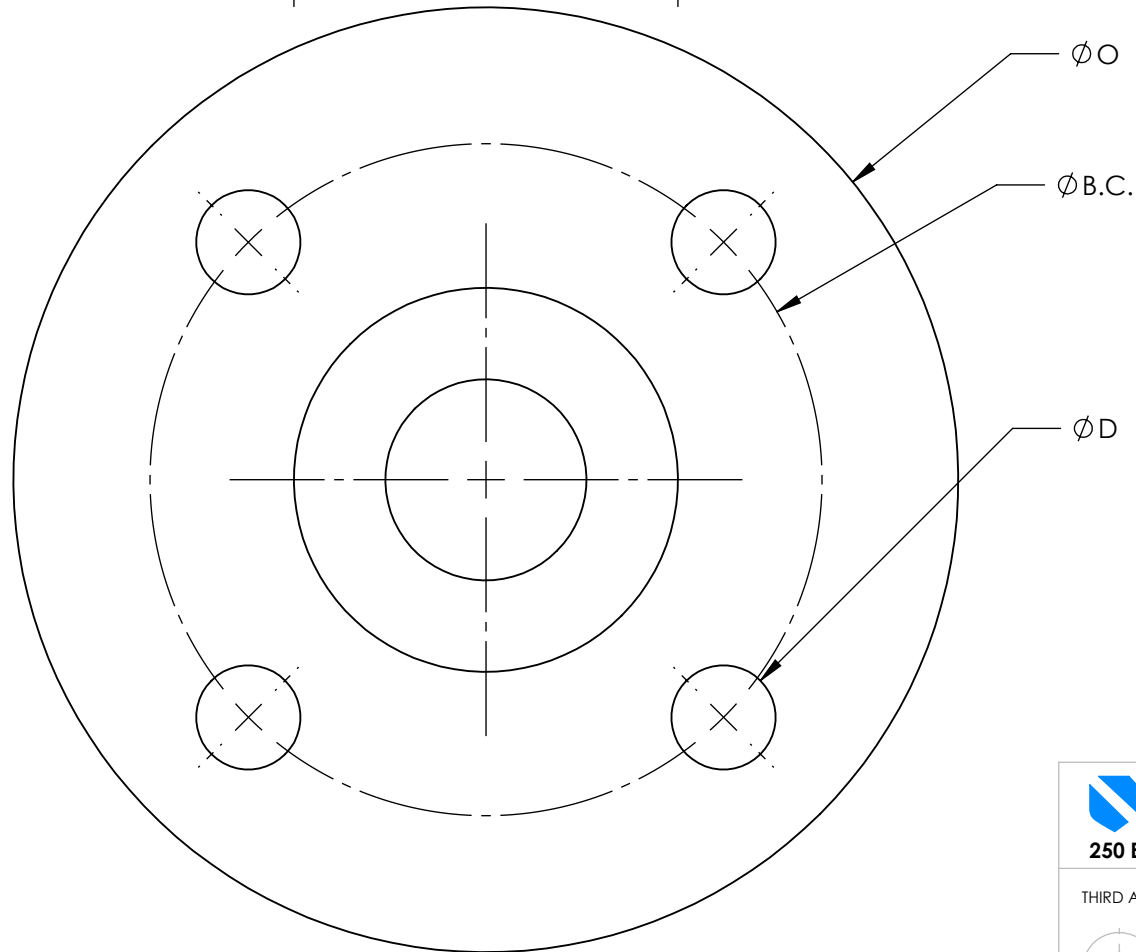
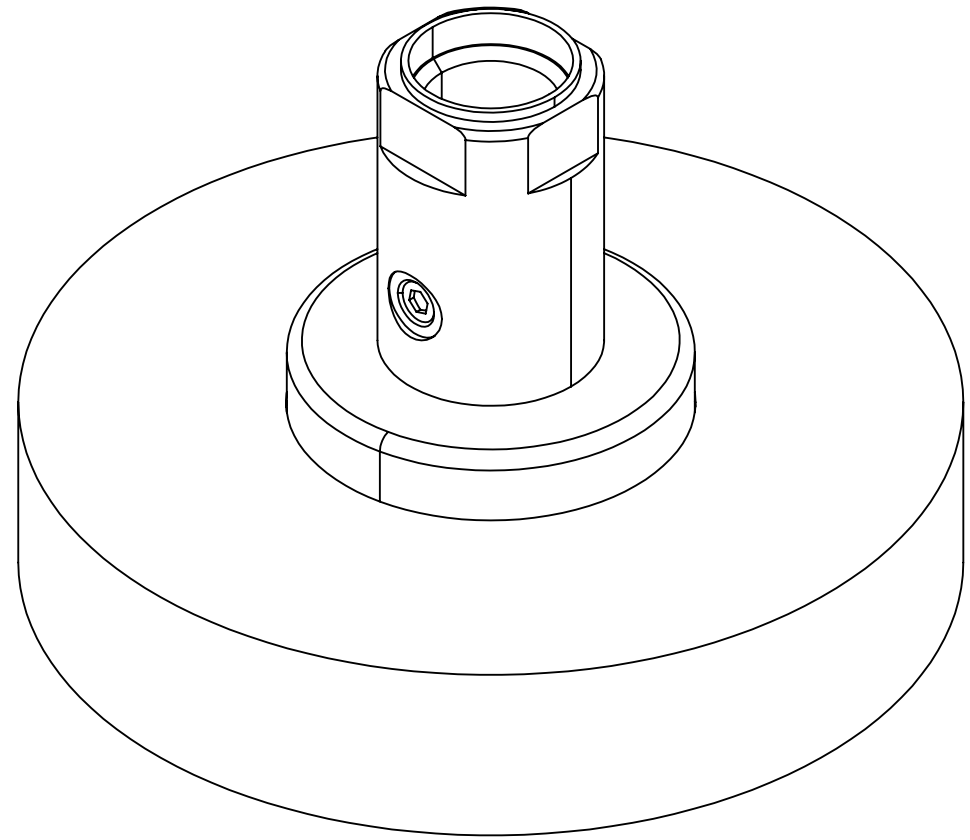
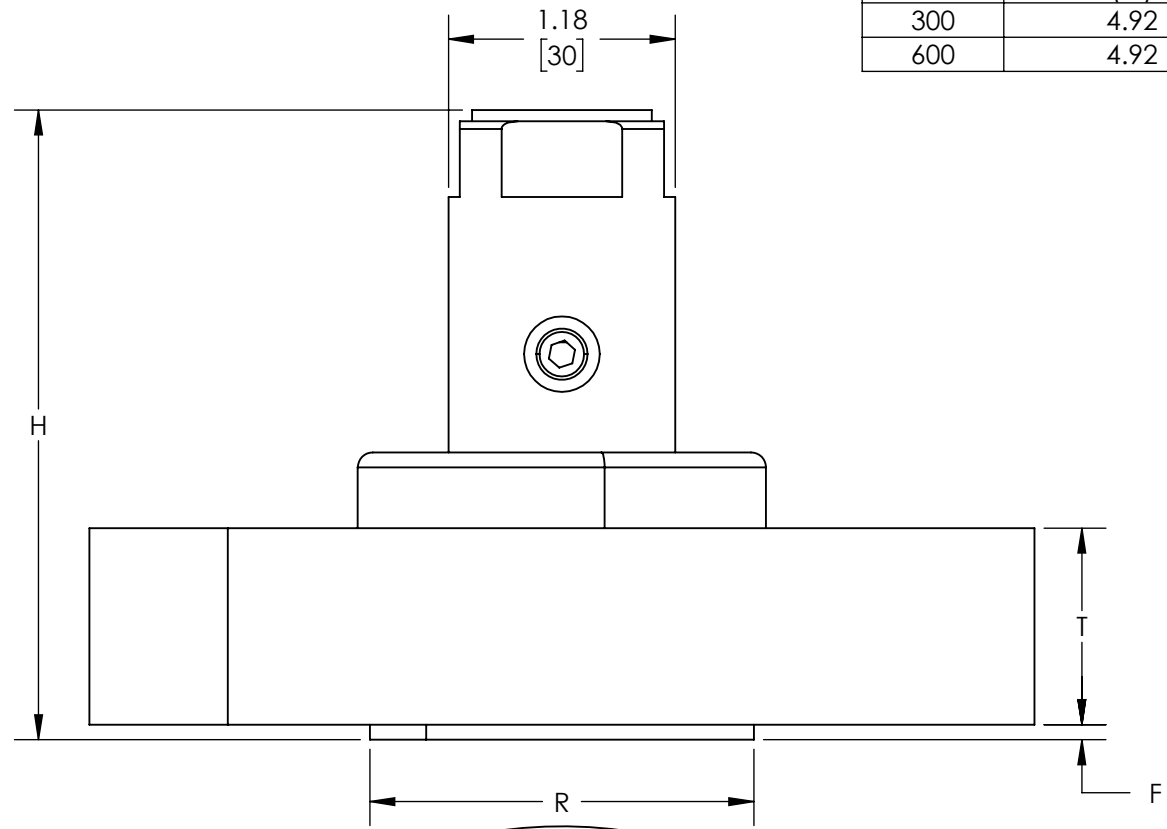


SEAL 10502 300RF SHOWN FOR REFERENCE

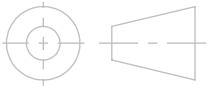
Class	Outer Diameter (O)	Flange Thickness (T)	Raised Face Diameter (R)	Raised Face Thickness (F)	Number of Holes (#)	Threaded Hole Size (D)	Bolt Circle Diameter (B.C.)	Total Height (H)
300	4.92	1.02	2.00	.08	4	1/2-13	3.50	3.28
600	4.92	1.02	2.00	.28	4	1/2-13	3.50	3.48



ALL DIMENSIONS ARE IN INCHES, [ ] ARE IN mm

**ASHCROFT**  
250 EAST MAIN STREET STRATFORD, CT 06614

THIRD ANGLE PROJECTION



THIS DRAWING INCLUDES CONFIDENTIAL INFORMATION WHICH IS THE PROPERTY OF ASHCROFT INC. THIS COPY IS LOANED FOR A SPECIFIC PURPOSE. WITH THE UNDERSTANDING THAT IT WILL NOT BE REPRODUCED OR USED FOR ANY OTHER PURPOSE OR DISCLOSED TO OTHERS, AND IT WILL BE RETURNED ON DEMAND.

THIS PRINT CERTIFIED CORRECT FOR:		GENERAL DIMENSION DRAWING SEAL: 10,502 300RF/600RF		
CUSTOMER NAME		DRAWN	DATE	DATE OF ISSUE
CUSTOMER ORDER NO.:		M. RABOY	6/11/2026	6/11/2026
ASHCROFT ORDER NO.:				REV.
CERTIFIED BY:		DATE:		<b>070A5007</b>
				<b>A</b>

REV.	ECO	DESCRIPTION	BY	DATE
A	0015588	INITIAL RELEASE	MJR	5/27/2026